

## HUBER Technical Doors in Stainless Steel

- ▶ Stainless steel doors and security doors
- ▶ Chlorine room doors and pressure-tight doors
- ▶ Flood-proof doors
- ▶ Access/Inspection Cover and Windows

More information,  
downloads and  
current news



## Single Stainless Steel Door TT1.1

Access door for buildings in the field of potable water supply and wastewater disposal with average security requirements.



The figure shown here may contain special accessories.

**Door**, ready for installation, single door, double skinned, completely made from 1.4307 (AISI 304 L) stainless steel, with double rubber seal, the door and frame closing flush, the door opening to the outside (in escape direction).

**Door leaf**, skin: 1 mm, 55 mm thick, with injected CFCs-free polyurethane hard foam insulation, longitudinally ground surface finish, with rubber seal. Fastened to the frame with stable maintenance-free hinge plates. Mortise dead lock according to DIN 18251, class 3, with increased corrosion protection, stainless steel forend, provided for a customer-provided profile double cylinder (mechanical or digital), handle and cover of stainless steel.

**Frame**, three-sided, fabricated from special section, with inserted rubber seal, with selectable sill closure, including fixing material.

Frame and door shielded arc-welded and acid bath cleaned before washing, drying and surface passivation.

### Ordering options:

#### Frame:

- ▶ Z-frame
- ▶ Block frame

#### Mounting:

- ▶ Embedded
- ▶ Bolted with dowelling clips
- ▶ Bolted through the frame
- ▶ (not to affect the finished wall)

#### Door opening options:

- ▶ Hinges on left
- ▶ Hinges on right

#### Sill closure:

- ▶ With step flashing
- ▶ Without step flashing

#### Options:

- ▶ 1.4404 (AISI 316 L) stainless steel
- ▶ Panic lock
- ▶ Upper door closer, lockable in position
- ▶ One-part or two-part door arrestor
- ▶ Surface finish (lacquer with or without anti-graffiti properties, wooden panelling)
- ▶ Alarm wire insert
- ▶ Magnetic contact:
  - ▶ "door open" or "door closed" status display
- ▶ Lock-bolt contact:
  - ▶ "locked" or "unlocked" status display
- ▶ Door heating (heating cable in frame and/or door surface), without temperature sensor, without controls
- ▶ Potential equalisation on frame
- ▶ Security ventilation louvres, openings to admit light
- ▶ Steel sheet finish for exterior door surface for installations exposed to sunlight

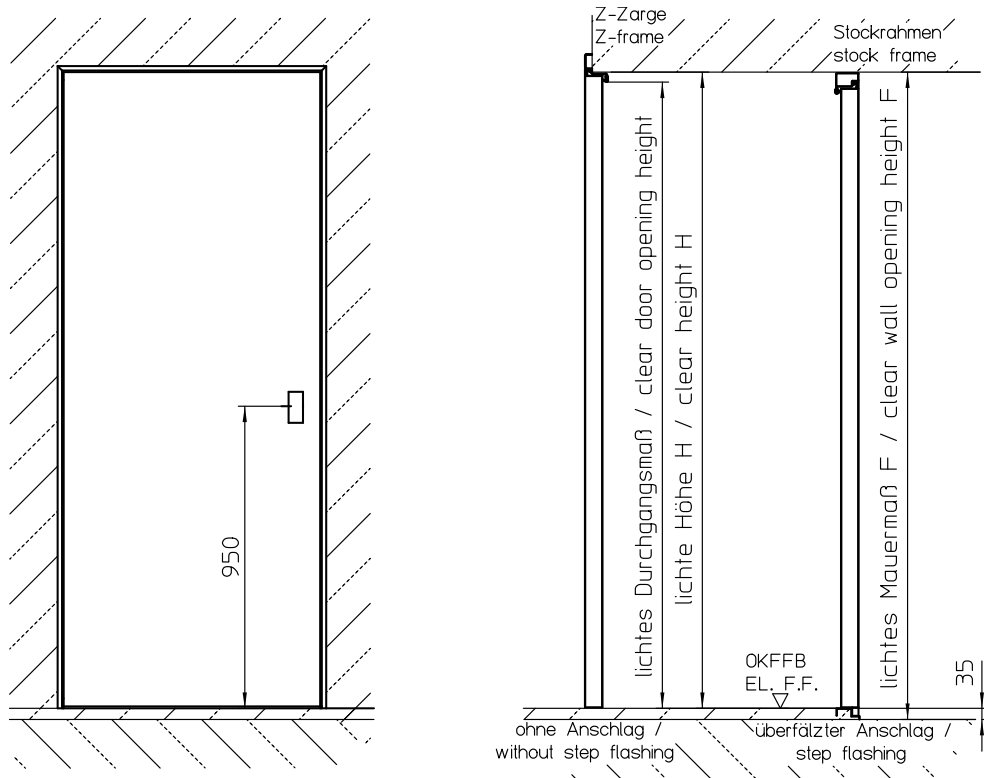
### Note:

**If the door is exposed to sunlight, its operability may be affected. In such a case, it is recommended to equip the door outside with a wood panelling or steel sheet.**



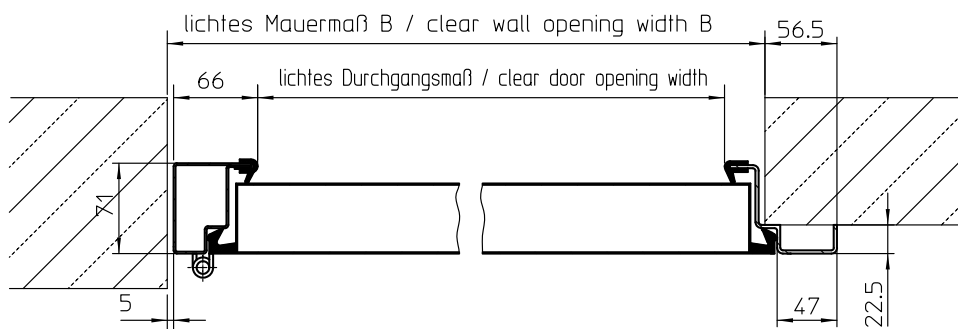
### Single Stainless Steel Door TT1.1

Subject to technical modification | Drawing no. 190.159, 7.2023



Stockrahmen  
 stock frame

Z-Zarge  
 Z-frame



**We manufacture to your specifications. Please consider these definitions of measures:**

Clear wall opening (F): distance between bottom edge of lintel and top edge of unfinished floor

Clear height (H): distance between bottom edge of lintel and top edge of finished floor



**Single Stainless Steel Door TT1.1**

Subject to technical modification | Drawing no. 190.159, 7.2023

## Single Water Chamber Door TT1.1 W

Access door for water chambers.



The figure shown here may contain special accessories.

**Door**, ready for installation, single door, double skinned, completely made from 1.4404 stainless steel (AISI 316 L), with double rubber seal, the door and frame closing flush, the door opening to the outside (in escape direction).

**Door leaf**, skin: 1 mm, 55 mm thick, with injected CFCs-free polyurethane hard foam insulation, longitudinally ground surface finish, door seal certified to KTW and DVGW W270 standards. Fastened to the frame with stable maintenance-free hinge plates. Mortise dead lock completely made from stainless steel according to DIN 18251, class 3, provided for a customer-provided profile half cylinder, lockable only from the dry side. Stainless steel door handle on the outside and inside.

**Frame**, three-sided, fabricated from special section, with inserted frame seal certified to KTW and DVGW W270 standards, selectable sill closure, including fixing material.

Frame and door shielded arc-welded and acid bath cleaned before washing, drying and surface passivation.

### Ordering options:

#### Frame:

- ▶ Z-frame
- ▶ Block frame

#### Mounting:

- ▶ Embedded
- ▶ Bolted with dowelling clips
- ▶ Bolted through the frame
- ▶ (not to affect the finished wall)

#### Door opening options:

- ▶ Hinges on left
- ▶ Hinges on right

#### Sill closure:

- ▶ With step flashing
- ▶ Circumferential block frame on four sides

#### Options:

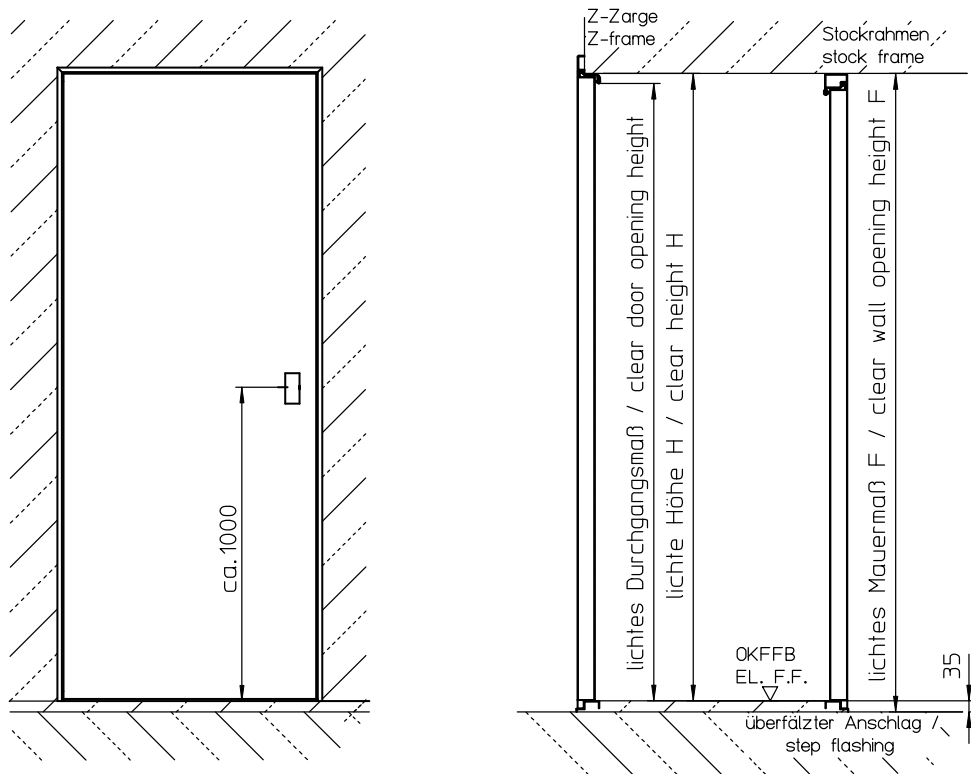
- ▶ Upper door closer, lockable in position (mounted on the dry side)
- ▶ One-part or two-part door arrestor
- ▶ Alarm wire insert
- ▶ Magnetic contact:
  - ▶ "door open" or "door closed" status display
- ▶ Lock-bolt contact:
  - ▶ "locked" or "unlocked" status display
- ▶ Potential equalisation on frame (dry side)



Single Water Chamber Door TT1.1 W

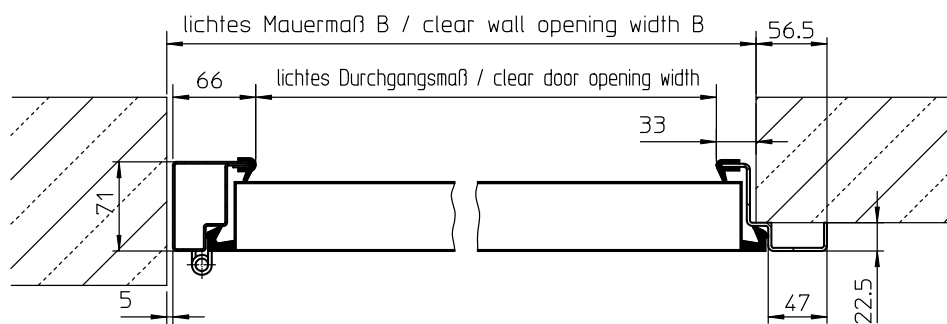
Subject to technical modification | Drawing no. 50926278, 7.2023

HUBER SE | Industriepark Erasbach A1 | D-92334 Berching | Phone: +49 8462 201-0 | info@huber.de | [www.huber.de](http://www.huber.de)



Stockrahmen  
stock frame

Z-Zarge  
Z-frame



**We manufacture to your specifications. Please consider these definitions of measures:**

Clear wall opening (F): distance between bottom edge of lintel and top edge of unfinished floor

Clear height (H): distance between bottom edge of lintel and top edge of finished floor



## Double Stainless Steel Door TT1.2

Access door for buildings in the field of potable water supply and wastewater disposal with average security requirements.



The figure shown here may contain special accessories.

**Door**, ready for installation, double door, double skinned, completely made from 1.4307 stainless steel (AISI 304 L), with double rubber seal, the door leaves and frame closing flush, the fixable and swing leaf opening to the outside (in escape direction).

**Door leaves**, skin: 1 mm, 55 mm thick, with injected CFCs-free polyurethane hard foam insulation, longitudinally ground surface finish, with rubber seal. Fastened to the frame with stable maintenance-free hinge plates. Mortise dead lock according to DIN 18251, class 3, with increased corrosion protection, stainless steel forend, provided for a customer-provided profile double cylinder (mechanical or digital), handle and cover of stainless steel.

The **fixable leaf** is operated by means of a sliding locking bolt. The contact surface between the opening leaf and fixable leaf is rubber sealed.

**Frame**, three-sided, fabricated from special section, with inserted rubber seal, with selectable sill closure, including fixing material.

Frame and door leaves shielded arc-welded and acid bath cleaned before washing, drying and surface passivation.

### Ordering options:

#### Frame:

- ▶ Z-frame
- ▶ Block frame

#### Mounting:

- ▶ Embedded
- ▶ Bolted with dowelling clips
- ▶ Bolted through the frame
- ▶ (not to affect the finished wall)

#### Door opening options:

- ▶ Hinges on left
- ▶ Hinges on right

#### Sill closure:

- ▶ With step flashing
- ▶ Without step flashing

#### Options:

- ▶ 1.4404 (AISI 316 L) stainless steel
- ▶ Panic lock
- ▶ Upper door closer, lockable in position
- ▶ One-part or two-part door arrestor
- ▶ Surface finish (lacquer with or without anti-graffiti properties, copper covering, wooden panelling)
- ▶ Alarm wire insert
- ▶ Magnetic contact:
  - ▶ "door open" or "door closed" status display
- ▶ Lock-bolt contact:
  - ▶ "locked" or "unlocked" status display
- ▶ Door heating (heating cable in frame and/or door surface), without temperature sensor, without controls
- ▶ Potential equalisation on frame
- ▶ Security ventilation louvres, openings to admit light
- ▶ Steel sheet finish for exterior door surface for installations exposed to sunlight

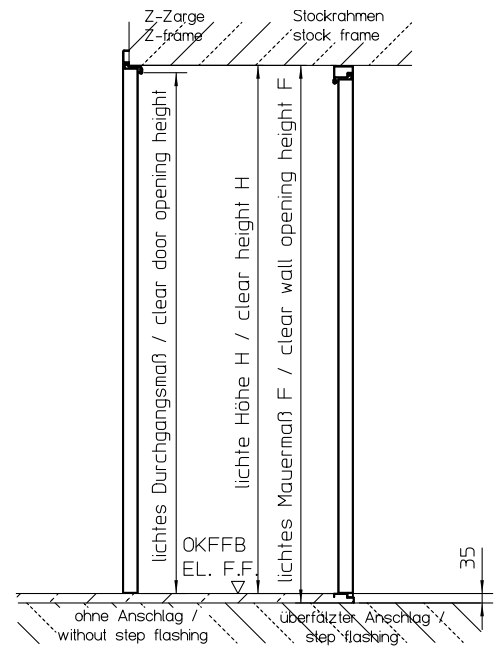
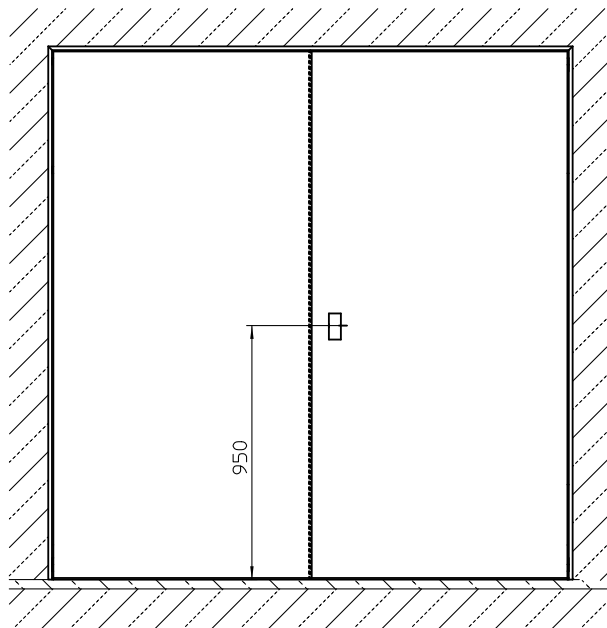
#### Note:

**If the door is exposed to sunlight, its operability may be affected. In such a case, it is recommended to equip the door outside with a wood panelling or steel sheet.**



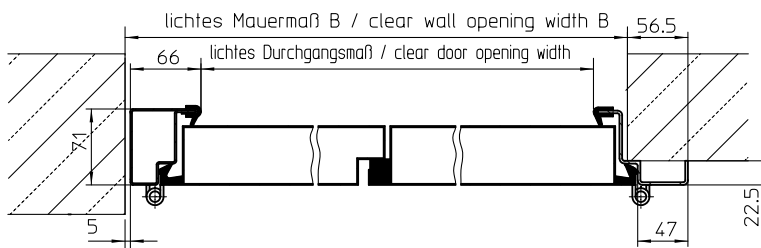
### Double Stainless Steel Door TT1.2

Subject to technical modification | Drawing no. 190.160, 7.2023



Stockrahmen  
 stock frame

Z-Zarge  
 Z-frame



**We manufacture to your specifications. Please consider these definitions of measures:**

Clear wall opening (F): distance between bottom edge of lintel and top edge of unfinished floor

Clear height (H): distance between bottom edge of lintel and top edge of finished floor



**Double Stainless Steel Door TT1.2**

Subject to technical modification | Drawing no. 190.160, 7.2023

## Single Security Door TT2.1/RC3

Access door for buildings in the field of potable water supply equipped with a burglar alarm system.



The figure shown here may contain special accessories.

**Security class RC3 is recommended by the criminal investigation department if the building is additionally secured by means of a burglar alarm system.**

**Security door**, burglar and attack proof, certified to security of DIN EN 1627, resistance class RC3, ready for installation, single-leaf, double skinned, completely made from 1.4307 stainless steel (AISI 304 L), with double rubber seal, the door and frame closing flush, the door opening to the outside (in escape direction).

Sound insulation: 34/29 dB.

**Door leaf** with injected CFCs-free polyurethane hard foam insulation, longitudinally ground surface finish, with rubber seal. Fastened to the frame with stable maintenance-free hinge plates. The closed door engaging flush with the frame by means of solid anchor bolts engaging in the frame for four-point locking. Galvanized safety lock with stainless steel forend, with austenitic manganese steel plate as anti-drilling protection, provided for a customer-provided mechanical profile half cylinder in accordance with DIN 18252:2006-12,21-,31-,71-BZ), with anti-panic lock, i.e. the door can any time be opened from inside by operating the handle, even when locked. Protective stainless steel fitting, without cylinder cover, with a rigidly mounted turning handle and a red plastic handle inside.

**Frame**, three-sided, fabricated from special section, with inserted rubber seal, with step flashing, including fixing material. Frame and door shielded arc-welded and acid bath cleaned before washing, drying and surface passivation.

### Ordering options:

#### Frame / mounting:

- ▶ Z-frame – bolted with dowelling clips
- ▶ Block frame – bolted with dowelling clips
- ▶ Block frame – bolted through the frame

#### Door opening options:

- ▶ Hinges on left
- ▶ Hinges on right

#### Options:

- ▶ 1.4404 (AISI 316 L) stainless steel
- ▶ One/two security ventilation louvre(s) size 500 x 300 mm
- ▶ Provided for a customer-supplied digital profile cylinder with anti-panic function and pulling protection
- ▶ Upper door closer, lockable in position
- ▶ One-part or two-part door arrestor
- ▶ Lowerable floor seal
- ▶ Lockable from inside with a second handle
- ▶ Surface finish (lacquer with or without anti-graffiti properties, copper covering, wooden panelling)
- ▶ Alarm wire insert
- ▶ Magnetic contact:
  - ▶ “door open” or “door closed” status display
- ▶ Lock-bolt contact:
  - ▶ “locked” or “unlocked” status display
- ▶ Door heating (heating cable in frame and/or door surface), without temperature sensor, without controls
- ▶ Lock for two side-by-side profile cylinders
  - ▶ (that can be opened independently)
- ▶ Stainless steel rain protection rosette for the stainless steel profile cylinder
- ▶ Block frame insulation
- ▶ Potential equalisation on frame
- ▶ Steel sheet finish for exterior door surface
  - ▶ for installations exposed to sunlight

**Note: If the door is exposed to sunlight, its operability may be affected. In such a case, it is recommended to equip the door outside with a wood panelling or steel sheet.**

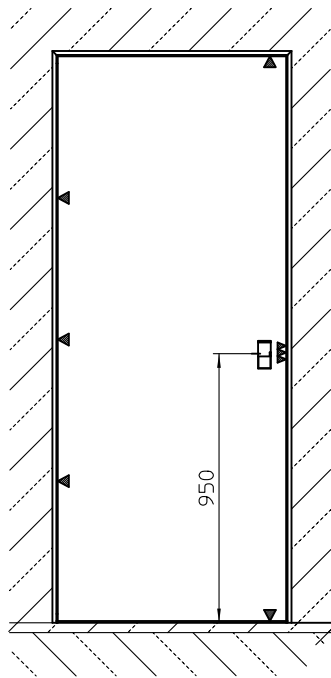


### Single Security Door TT2.1/RC3

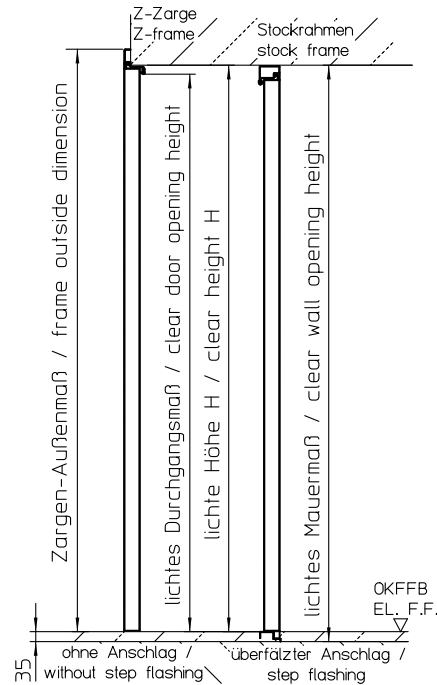
Subject to technical modification | Drawing no. 190.161, 7.2023

HUBER SE | Industriepark Erasbach A1 | D-92334 Berching | Phone: + 49 8462 201-0 | info@huber.de | [www.huber.de](http://www.huber.de)

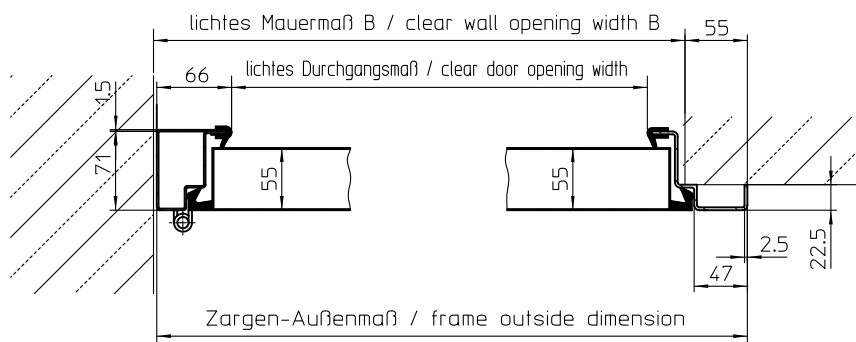




Stockrahmen  
 stock frame



Z-Zarge  
 Z-frame



**We manufacture to your specifications. Please consider these definitions of measures:**

Clear wall opening (F): distance between bottom edge of lintel and top edge of unfinished floor

Clear height (H): distance between bottom edge of lintel and top edge of finished floor



## Single Chlorine Room Door TT2.1/RC3

Access door specifically designed for buildings in drinking water supply systems where chlorine gas may be generated.



The figure shown here may contain special accessories.

**RC3 doors are suitable for buildings with an increased risk of burglary where a higher level of security is required.**

**Chlorine room door**, execution in accordance with DIN 19606, burglar and attack proof, certified to security of DIN EN 1627, resistance class RC3, ready for installation, single-leaf, double skinned, completely made from 1.4404 stainless steel (AISI 316 L), with double rubber seal, the door and frame closing flush, the door opening to the outside (in escape direction). Sound insulation: 34/29 dB.

**Door leaf** with injected CFCs-free polyurethane hard foam insulation, longitudinally ground surface finish, door leaf inner side painted in stainless steel look (RAL 9006), with rubber seal. Fastened to the frame with stable maintenance-free hinge plates. The closed door engaging flush with the frame by means of solid anchor bolts engaging in the frame for four-point locking. Surface insert and drill protection plate in the lock area for the anti-panic function

Galvanized safety lock with stainless steel forend, with austenitic manganese steel plate as anti-drilling protection, provided for a customer-provided mechanical profile half cylinder in accordance with DIN 18252:2006-12,21-,31-,71-BZ), **with anti-panic lock**, i.e. the door can any time be opened from inside by operating the handle, even when locked. Protective stainless steel fitting, without cylinder cover, with a rigidly mounted turning handle and a red plastic handle inside.

**Frame**, three-sided, fabricated from special section, with inserted rubber seal, with step flashing, including fixing material.

Frame and door shielded arc-welded and acid bath cleaned before washing, drying and surface passivation.

### Ordering options:

#### Frame/mounting:

- ▶ Z-frame – bolted with dowelling clips
- ▶ Block frame – bolted with dowelling clips
- ▶ Block frame – bolted through the frame

#### Door opening options:

- ▶ Hinges on left
- ▶ Hinges on right

#### Options:

- ▶ Prepared for a digital profile cylinder to be provided by the customer
- ▶ Lockable from inside with a second handle
- ▶ Lock for two side-by-side profile cylinders (that can be opened independently)
- ▶ Stainless steel rain protection rosette for the stainless steel profile cylinder
- ▶ Upper door closer, lockable in position
- ▶ Two-piece floor door arrestor/stop
- ▶ One-piece door arrestor
- ▶ Upper door stopper can be released manually
- ▶ Block frame insulation
- ▶ Lowerable floor seal
- ▶ Magnetic contact: “door open” or “door closed” status display
- ▶ Lock-bolt contact: “locked” or “unlocked” status display
- ▶ Potential equalisation on frame
- ▶ Rain rail on the top of the frame
- ▶ Surface finish (lacquer with or without anti-graffiti properties, copper covering, wooden panelling)
- ▶ Steel sheet finish for exterior door surface for installations exposed to sunlight

**Note: If the door is exposed to sunlight, its operability may be affected. In such a case, it is recommended to equip the door outside with a wood panelling or steel sheet.**

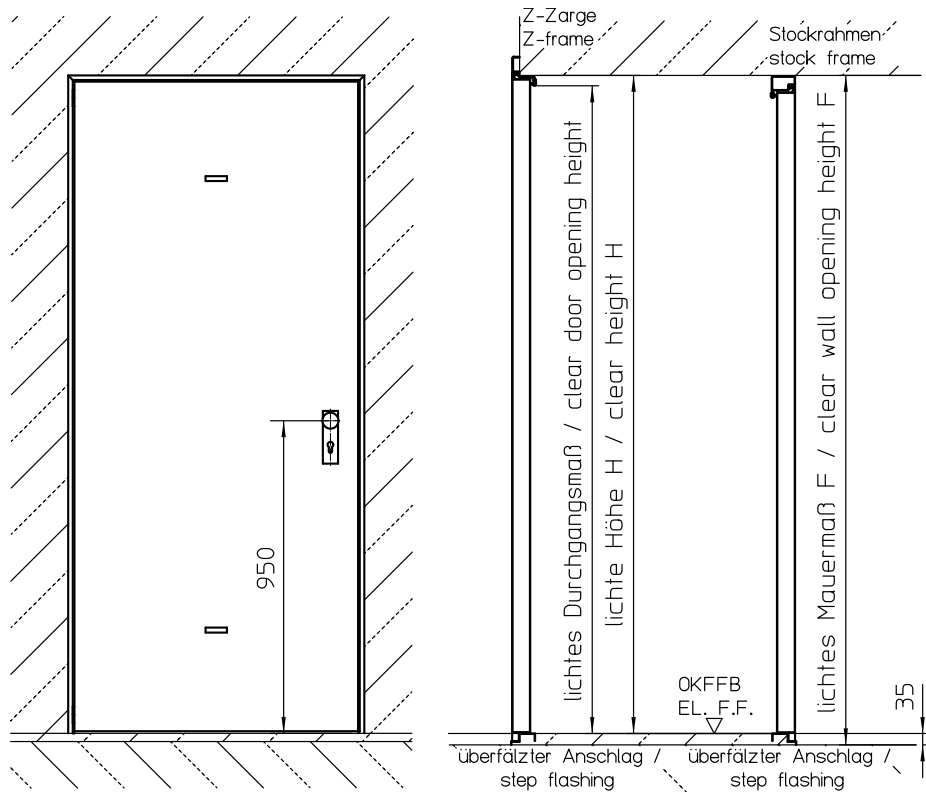


### Single Chlorine Room Door TT2.1/RC3

Subject to technical modification | Drawing no. 190.166, 11.2025

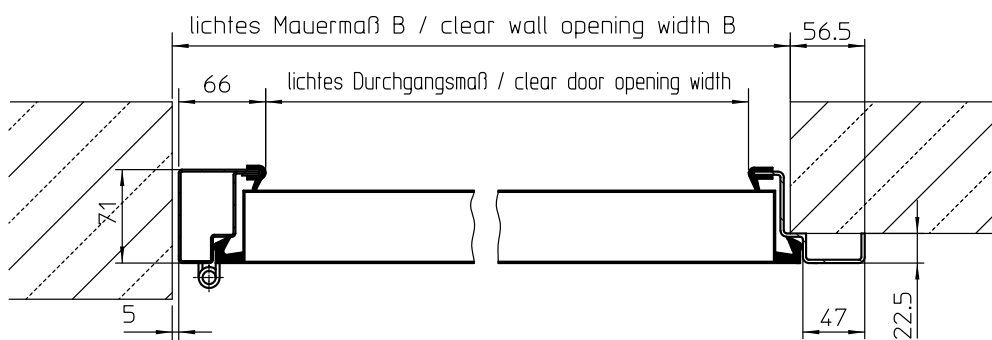
HUBER SE | Industriepark Erasbach A1 | D-92334 Berching | Phone: + 49 8462 201-0 | info@huber.de | [www.huber.de](http://www.huber.de)





Stockrahmen  
stock frame

Z-Zarge  
Z-frame



**We manufacture to your specifications. Please consider these definitions of measures:**

Clear wall opening (F): distance between bottom edge of lintel and top edge of unfinished floor

Clear height (H): distance between bottom edge of lintel and top edge of finished floor



## Double Security Door TT2.2/RC3

Access door for buildings in the field of potable water supply equipped with a burglar alarm system.



The figure shown here may contain special accessories.

**Security class RC3 is recommended by the criminal investigation department if the building is additionally secured by means of a burglar alarm system.**

**Security door**, burglar and attack proof, certified to security of DIN EN 1627, resistance class RC3, ready for installation, double-leaf, double skinned, completely made from 1.4307 (AISI 304 L) stainless steel, with double rubber seal, the door leaves and frame closing flush, the fixable and swing leaf opening to the outside (in escape direction). Sound insulation: 34/29 dB.

**Door leaves** with injected CFCs-free polyurethane hard foam insulation, longitudinally ground surface finish, with rubber seal. Fastened to the frame with stable maintenance-free hinge plates. The closed door leaves engage flush with the frame by means of solid anchor bolts engaging in the frame for four-point locking. Galvanized safety lock with stainless steel forend, with austenitic manganese steel plate as anti-drilling protection, provided for a customer-provided mechanical profile half cylinder in accordance with DIN 18252:2006-12,21-,31-,71-BZ), with anti-panic lock, i.e. the door can any time be opened from inside by operating the handle, even when locked. Protective stainless steel fitting, without cylinder cover, with a rigidly mounted turning handle and a red plastic handle inside.

The **fixable leaf** is operated by means of a sliding locking bolt. The contact surface between the opening leaf and fixable leaf is rubber sealed.

**Frame**, three-sided, fabricated from special section, with inserted rubber seal, with step flashing, including fixing material. Frame and door shielded arc-welded and acid bath cleaned before washing, drying and surface passivation.

### Ordering options:

#### Frame / mounting:

- ▶ Z-frame – bolted with dowelling clips
- ▶ Block frame – bolted with dowelling clips
- ▶ Block frame – bolted through the frame

#### Door opening options:

- ▶ Hinges on left
- ▶ Hinges on right

#### Options:

- ▶ 1.4404 (AISI 316 L) stainless steel
- ▶ One/two security ventilation louvre(s) size 500 x 300 mm
- ▶ Provided for a customer-supplied digital profile cylinder with anti-panic function and pulling protection
- ▶ Upper door closer, lockable in position
- ▶ One-part or two-part door arrestor
- ▶ Lowerable floor seal
- ▶ Lockable from inside with a second handle
- ▶ Surface finish (lacquer with or without anti-graffiti properties, copper covering, wooden panelling)
- ▶ Alarm wire insert
- ▶ Magnetic contact:
  - ▶ “door open” or “door closed” status display
- ▶ Lock-bolt contact:
  - ▶ “locked” or “unlocked” status display
- ▶ Door heating (heating cable in frame and/or door surface), without temperature sensor, without controls
- ▶ Lock for two side-by-side profile cylinders (that can be opened independently)
- ▶ Stainless steel rain protection rosette for the stainless steel profile cylinder
- ▶ Block frame insulation
- ▶ Potential equalisation on frame
- ▶ Steel sheet finish for exterior door surface for installations exposed to sunlight

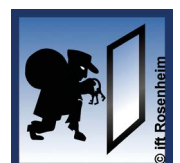
**Note: If the door is exposed to sunlight, its operability may be affected. In such a case, it is recommended to equip the door outside with a wood panelling or steel sheet.**

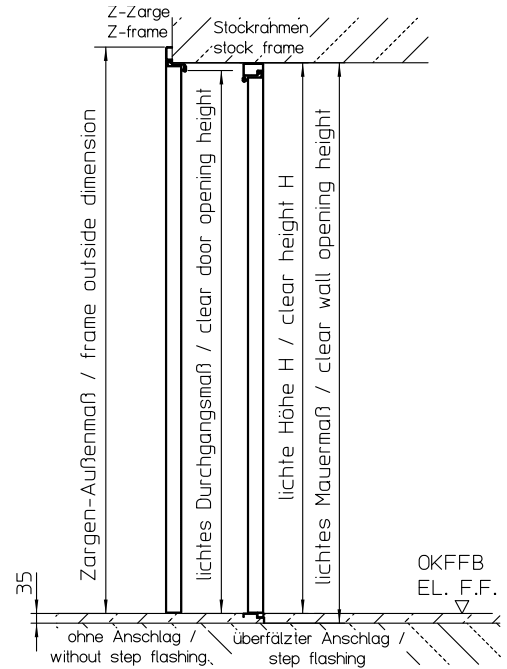
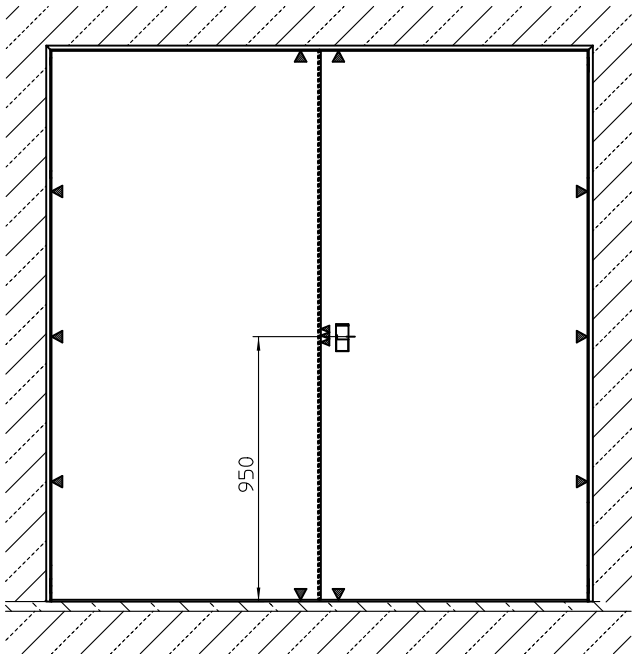


### Double Security Door TT2.2/RC3

Subject to technical modification | Drawing no. 190.162, 7.2023

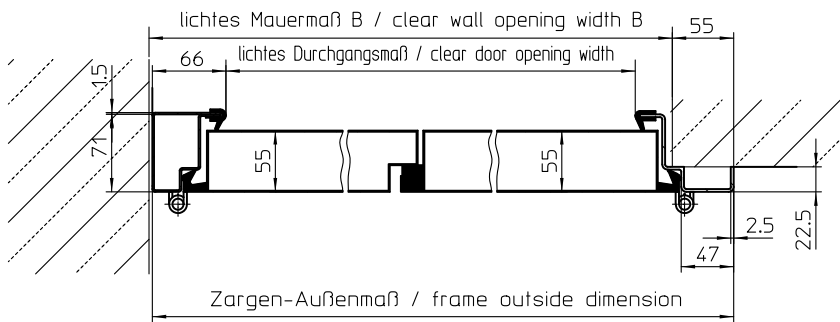
HUBER SE | Industriepark Erasbach A1 | D-92334 Berching | Phone: + 49 8462 201-0 | info@huber.de | [www.huber.de](http://www.huber.de)





Stockrahmen  
 stock frame

Z-Zarge  
 Z-frame



**We manufacture to your specifications. Please consider these definitions of measures:**

Clear wall opening (F): distance between bottom edge of lintel and top edge of unfinished floor

Clear height (H): distance between bottom edge of lintel and top edge of finished floor



Double Security Door TT2.2/RC3

Subject to technical modification | Drawing no. 190.162, 7.2023

HUBER SE | Industriepark Erasbach A1 | D-92334 Berching | Phone: + 49 8462 201-0 | info@huber.de | [www.huber.de](http://www.huber.de)

## Single Security Door TT2.F/RC3, Flood-proof

Access door especially for areas at risk of flooding, with additional burglary resistance.



The figure shown here may contain special accessories.

Security door, burglar and attack proof, certified to security of DIN EN 1627, resistance class RC3, ready for installation, single-leaf, double skinned, watertight up to 1.2 m WG, completely made from 1.4307 (AISI 304 L) stainless steel, with double rubber seal, the door opening to the outside (in escape direction).

Door with injected CFCs-free polyurethane hard foam insulation. Longitudinally ground surface finish, with rubber seal. The closed door engaging flush with the frame by means of solid anchor bolts engaging in the frame for four-point locking. Fastened to the frame with stable, maintenance-free special hinge plates that compensate for increasing water pressure.

Galvanized safety lock with stainless steel forend, with austenitic manganese steel plate as anti-drilling protection, provided for a customer-provided mechanical profile half cylinder in accordance with DIN 18252:2006-12,21-,31-,71-BZ), with anti-panic lock, i.e. the door can any time be opened from inside by operating the handle, even when locked. Protective stainless steel fitting, without cylinder cover, with a rigidly mounted turning handle and a red plastic handle inside. Handle set above the maximum water column.

Frame, four-sided, with injected CFCs-free polyurethane hard foam insulation, made of stainless steel, for on-site installation, mounting and sealing materials included..

Frame and door leaf shielded arc-welded and acid bath cleaned before washing, drying and surface passivation.

Maximum permitted leakage rate: 0.3 litres/hour

### Ordering options:

#### Mounting:

- ▶ Bolted with dowelling clips
- ▶ Bolted through the frame

#### Door opening options:

- ▶ Hinges on left
- ▶ Hinges on right

#### Options:

- ▶ 1.4404 (AISI 316 L) stainless steel
- ▶ Upper door closer, lockable in position
- ▶ Upper door arrestor, releasable by hand
- ▶ Lockable from inside with a second handle
- ▶ Magnetic contact: "door open" or "door closed" status display
- ▶ Lock-bolt contact: "locked" or "unlocked" status display
- ▶ Potential equalisation on hinge side on top of frame
- ▶ Surface finish (lacquer with or without anti-graffiti properties)
- ▶ Lock for two side-by-side profile cylinders (that can be opened independently)
- ▶ Stainless steel rain protection rosette for the stainless steel profile cylinder
- ▶ Rain rail on top of frame
- ▶ Steel sheet finish for exterior door surface for installations exposed to sunlight

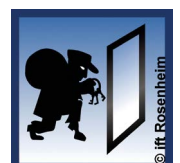
**Note:** If the door is exposed to sunlight, its operability may be affected. In such a case, it is recommended to equip the door outside with a steel sheet finish.

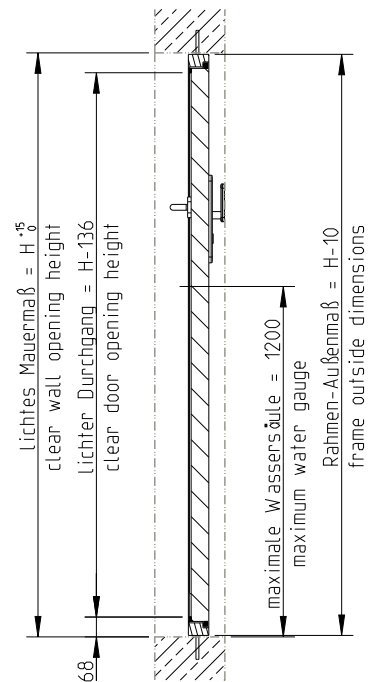
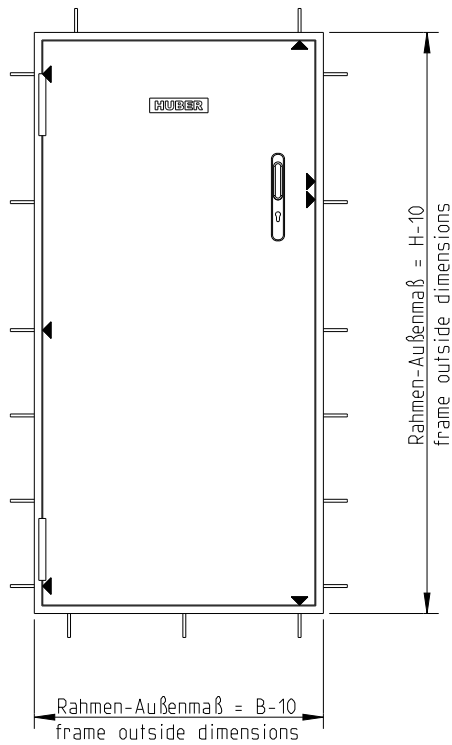


### Single Security Door TT2.F/RC3, Flood-proof

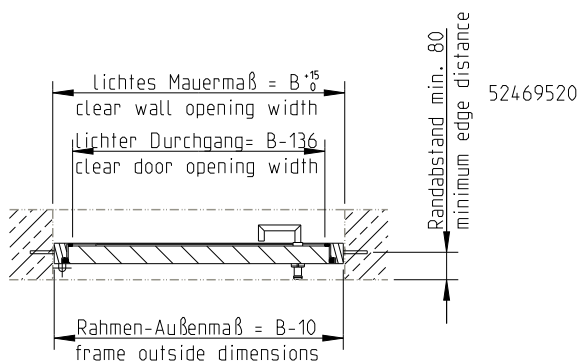
Subject to technical modification | Drawing no.52469520, 10.2025

HUBER SE | Industriepark Erasbach A1 | D-92334 Berching | Phone: + 49 8462 201-0 | info@huber.de | [www.huber.de](http://www.huber.de)





Druckseite / pressure side



Druckseite / pressure side

**We always manufacture door dimensions according to your specifications.**



Single Security Door TT2.F/RC3, Flood-proof

Subject to technical modification | Drawing no. 52469520, 10.2025

HUBER SE | Industriepark Erasbach A1 | D-92334 Berching | Phone: + 49 8462 201-0 | info@huber.de | [www.huber.de](http://www.huber.de)

## Single Security Door TT2.1/RC4

Access door for buildings in the field of potable water supply without a burglar alarm system.



The figure shown here may contain special accessories.

**Security class RC4 is recommended by the criminal investigation department if the building is not secured by means of a burglar alarm system.**

**Security door**, burglar and attack proof, certified to security of DIN EN 1627, resistance class RC4, ready for installation, single-leaf, double skinned, completely made from 1.4307 stainless steel (AISI 304 L), with double rubber seal, the door and frame closing flush, the door opening to the outside (in escape direction).

Sound insulation: 34/29 dB.

**Door leaf** with injected CFCs-free polyurethane hard foam insulation, longitudinally ground surface finish, with rubber seal. Fastened to the frame with stable maintenance-free hinge plates. The closed door engaging flush with the frame by means of solid anchor bolts engaging in the frame for four-point locking. Additional protection of the internal lock box through an attack-proof protecting plate with anti-panic function. Galvanized safety lock with stainless steel forend, with austenitic manganese steel plate as anti-drilling protection, provided for a customer-provided mechanical profile half cylinder in accordance with DIN 18252:2006-12 42-,82-BZ, with anti-panic lock, i.e. the door can any time be opened from inside by operating the handle, even when locked. Protective stainless steel fitting, with cylinder cover, with a rigidly mounted turning handle on the stainless steel outside cover and a red plastic handle inside.

**Frame**, three-sided as block frame, with inserted rubber seal, with step flashing, including fixing material.

Frame and door shielded arc-welded and acid bath cleaned before washing, drying and surface passivation.

### Ordering options:

#### Mounting:

- ▶ Bolted with dowelling clips
- ▶ Bolted through the frame

#### Door opening options:

- ▶ Hinges on left
- ▶ Hinges on right

#### Options:

- ▶ 1.4404 (AISI 316 L) stainless steel
- ▶ One/two security ventilation louvre(s) size 400 x 200 mm
- ▶ Provided for a customer-supplied digital profile cylinder
- ▶ Upper door closer, lockable in position
- ▶ One-part or two-part door arrestor
- ▶ Lowerable floor seal
- ▶ Lockable from inside with a second handle
- ▶ Surface finish (lacquer with or without anti-graffiti properties, wooden panelling)
- ▶ Alarm wire insert
- ▶ Magnetic contact:
  - ▶ "door open" or "door closed" status display
- ▶ Lock-bolt contact:
  - ▶ "locked" or "unlocked" status display
- ▶ Door heating (heating cable in frame and/or door surface), without temperature sensor, without controls
- ▶ Lock for two side-by-side profile cylinders (that can be opened independently)
- ▶ Block frame insulation
- ▶ Potential equalisation on frame
- ▶ Steel sheet finish for exterior door surface for installations exposed to sunlight

**Note: If the door is exposed to sunlight, its operability may be affected. In such a case, it is recommended to equip the door outside with a wood panelling or steel sheet.**

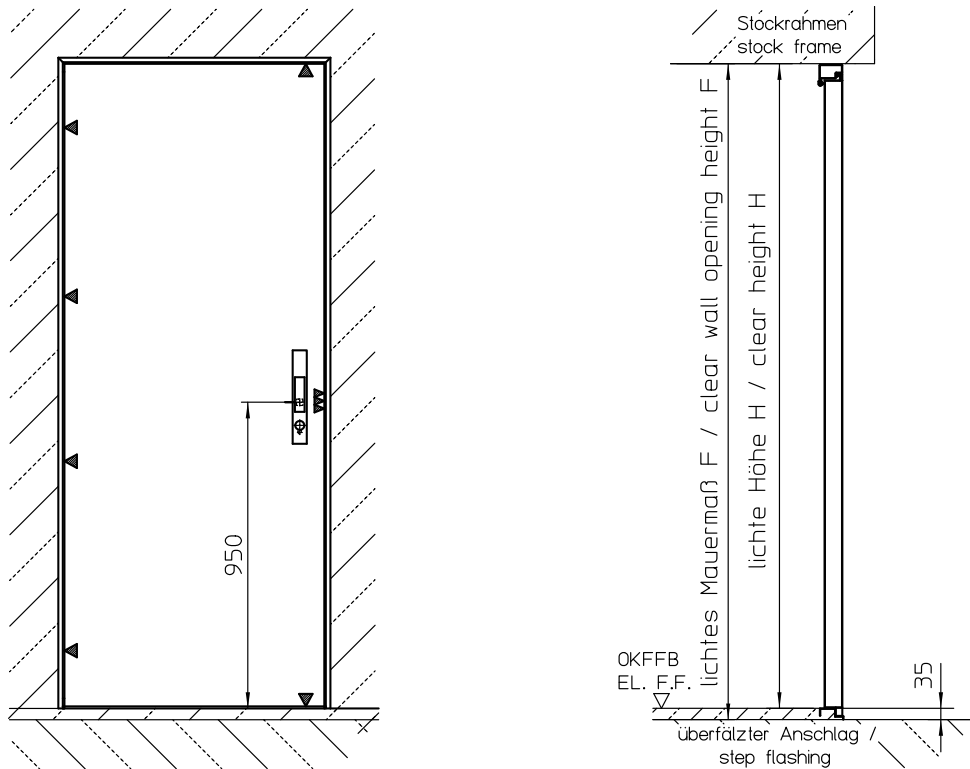


### Single Security Door TT2.1/RC4

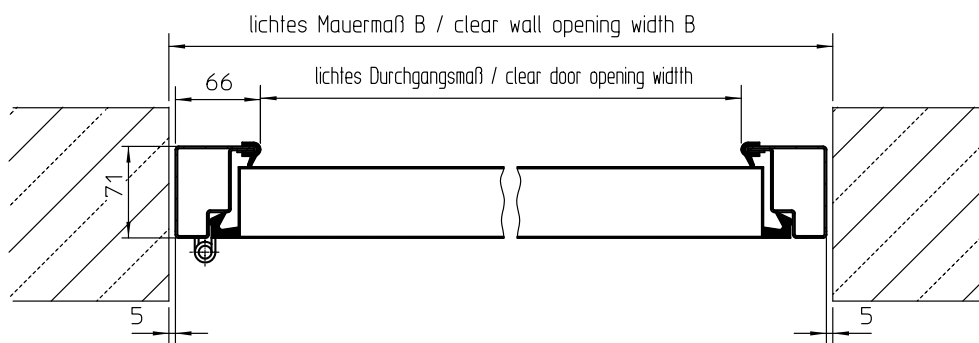
Subject to technical modification | Drawing no. 190.161/2, 11.2025

HUBER SE | Industriepark Erasbach A1 | D-92334 Berching | Phone: + 49 8462 201-0 | info@huber.de | [www.huber.de](http://www.huber.de)





Stockrahmen  
stock frame



**We manufacture to your specifications. Please consider these definitions of measures:**

Clear wall opening (F): distance between bottom edge of lintel and top edge of unfinished floor

Clear height (H): distance between bottom edge of lintel and top edge of finished floor



Single Security Door TT2.1/RC4

Subject to technical modification | Drawing no. 190.161/2, 11.2025

## Single Chlorine Room Door TT2.1/RC4

Access door specifically designed for buildings in drinking water supply systems where chlorine gas may be generated.



The figure shown here may contain special accessories.

**RC4 doors provide protection in situations with very high security risks. They are primarily used in public and commercial areas, in critical infrastructure, and for securing high-value systems or equipment.**

**Chlorine room door**, execution in accordance with DIN 19606, burglar and attack proof, certified to security of DIN EN 1627, resistance class RC4, ready for installation, single-leaf, double skinned, completely made from 1.4404 stainless steel (AISI 316 L), with double rubber seal, the door and frame closing flush, the door opening to the outside (in escape direction). Sound insulation: 34/29 dB.

**Door leaf** with injected CFCs-free polyurethane hard foam insulation, longitudinally ground surface finish, door leaf inner side painted in stainless steel look (RAL 9006), with rubber seal. Fastened to the frame with stable maintenance-free hinge plates. The closed door engaging flush with the frame by means of solid anchor bolts engaging in the frame for four-point locking. Surface insert and massive drill protection plate in the lock area for the anti-panic function.

Galvanized safety lock with stainless steel forend, with austenitic manganese steel plate as anti-drilling protection, provided for a customer-provided mechanical profile half cylinder in accordance with DIN 18252:2006-12 42-82-BZ, **with anti-panic lock**, i.e. the door can any time be opened from inside by operating the handle, even when locked. Protective stainless steel fitting, with cylinder cover, with a rigidly mounted turning handle on the stainless steel outside cover and a red plastic handle inside.

**Frame**, three-sided as block frame, with inserted rubber seal, with step flashing, including fixing material.

Frame and door shielded arc-welded and acid bath cleaned before washing, drying and surface passivation.

### Ordering options:

#### Mounting:

- ▶ Bolted with dowelling clips
- ▶ Bolted through the frame

#### Door opening options:

- ▶ Hinges on left
- ▶ Hinges on right

#### Options:

- ▶ Prepared for a digital profile cylinder to be provided by the customer
- ▶ Lockable from inside with a second handle
- ▶ Lock for two side-by-side profile cylinders (that can be opened independently)
- ▶ Upper door closer, lockable in position
- ▶ Two-piece floor door arrestor/stop
- ▶ One-piece door arrestor
- ▶ Upper door stopper can be released manually
- ▶ Block frame insulation
- ▶ Lowerable floor seal
- ▶ Magnetic contact: "door open" or "door closed" status display
- ▶ Lock-bolt contact: "locked" or "unlocked" status display
- ▶ Potential equalisation on frame
- ▶ Rain rail on the top of the frame
- ▶ Surface finish (lacquer with or without anti-graffiti properties, copper covering, wooden panelling)
- ▶ Steel sheet finish for exterior door surface for installations exposed to sunlight

**Note: If the door is exposed to sunlight, its operability may be affected. In such a case, it is recommended to equip the door outside with a wood panelling or steel sheet.**

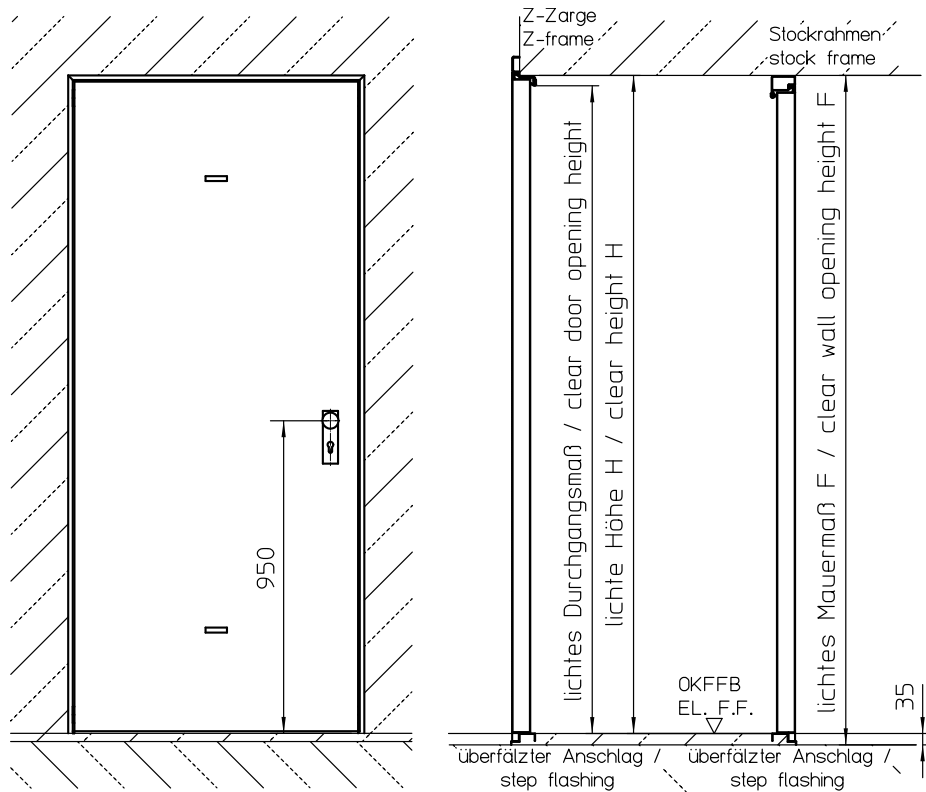


### Single Chlorine Room Door TT2.1/RC4

Subject to technical modification | Drawing no. 190.166, 11.2025

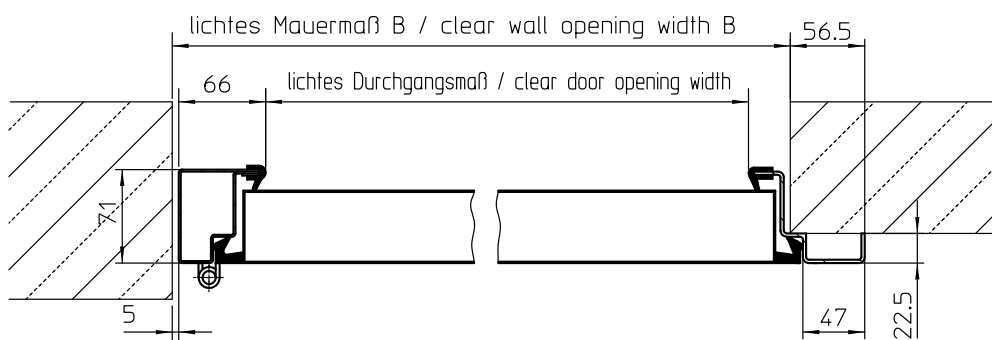
HUBER SE | Industriepark Erasbach A1 | D-92334 Berching | Phone: + 49 8462 201-0 | info@huber.de | [www.huber.de](http://www.huber.de)





Stockrahmen  
stock frame

Z-Zarge  
Z-frame



**We manufacture to your specifications. Please consider these definitions of measures:**

Clear wall opening (F): distance between bottom edge of lintel and top edge of unfinished floor

Clear height (H): distance between bottom edge of lintel and top edge of finished floor



Single Chlorine Room Door TT2.1/RC4

Subject to technical modification | Drawing no. 190.166, 11.2025

HUBER SE | Industriepark Erasbach A1 | D-92334 Berching | Phone: + 49 8462 201-0 | info@huber.de | [www.huber.de](http://www.huber.de)

## Double Security Door TT2.2/RC4

Access door for buildings in the field of potable supply without a burglar alarm system.



The figure shown here may contain special accessories.

**Security class RC4 is recommended by the criminal investigation department if the building is not secured by means of a burglar alarm system.**

**Security door**, burglar and attack proof, certified to security of DIN EN 1627, resistance class RC4, ready for installation, double-leaf, double skinned, completely made from 1.4307 (AISI 304 L) stainless steel, with double rubber seal, the door leaves and frame closing flush, the fixable and swing leaf opening to the outside (in escape direction). Sound insulation: 34/29 dB.

**Door leaves** with injected CFCs-free polyurethane hard foam insulation, longitudinally ground surface finish, with rubber seal. Fastened to the frame with stable maintenance-free hinge plates. The closed door leaves engage flush with the frame by means of solid anchor bolts engaging in the frame for four-point locking. Additional protection of the internal lock box through an attack-proof protecting plate with anti-panic function. Galvanized safety lock with stainless steel forend, with austenitic manganese steel plate as anti-drilling protection, provided for a customer-provided mechanical profile half cylinder in accordance with DIN 18252:2006-12,21-,42-,82-BZ, with anti-panic lock, i.e. the door can any time be opened from inside by operating the handle, even when locked. Protective stainless steel fitting, with cylinder cover, with a rigidly mounted turning handle on the stainless steel outside cover and a red plastic handle inside.

The **fixable leaf** is operated by means of a sliding locking bolt. The contact surface between the opening leaf and fixable leaf is rubber sealed.

**Frame**, three-sided as block frame, with inserted rubber seal, with step flashing, including fixing material.

Frame and door shielded arc-welded and acid bath cleaned before washing, drying and surface passivation.

### Ordering options:

#### Mounting:

- ▶ Bolted with dowelling clips
- ▶ Bolted through the frame

#### Door opening options:

- ▶ Hinges on left
- ▶ Hinges on right

#### Options:

- ▶ 1.4404 (AISI 316 L) stainless steel
- ▶ One/two security ventilation louvre(s) size 400 x 200 mm
- ▶ Provided for a customer-supplied digital profile cylinder
- ▶ Upper door closer, lockable in position
- ▶ One-part or two-part door arrestor
- ▶ Lowerable floor seal
- ▶ Lockable from inside with a second handle
- ▶ Surface finish (lacquer with or without anti-graffiti properties, wooden panelling)
- ▶ Alarm wire insert
- ▶ Magnetic contact:
  - ▶ "door open" or "door closed" status display
- ▶ Lock-bolt contact:
  - ▶ "locked" or "unlocked" status display
- ▶ Door heating (heating cable in frame and/or door surface), without temperature sensor, without controls
- ▶ Lock for two side-by-side profile cylinders (that can be opened independently)
- ▶ Block frame insulation
- ▶ Potential equalisation on frame
- ▶ Steel sheet finish for exterior door surface for installations exposed to sunlight

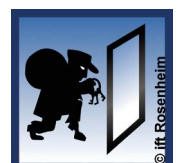
**Note: If the door is exposed to sunlight, its operability may be affected. In such a case, it is recommended to equip the door outside with a wood panelling or steel sheet.**



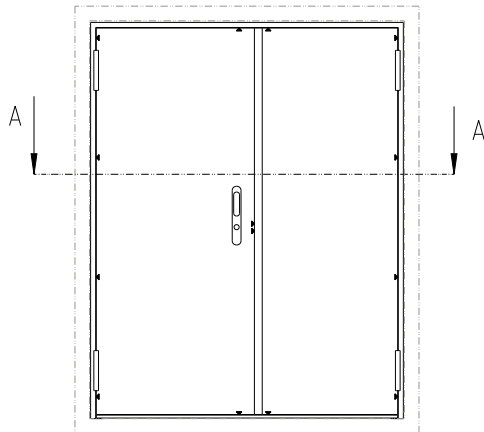
### Double Security Door TT2.2/RC4

Subject to technical modification | Drawing no. 2080886, 11.2024

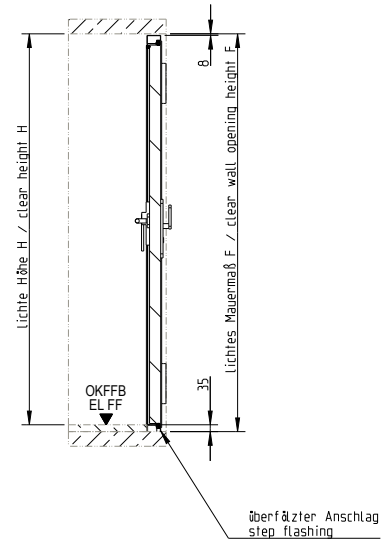
HUBER SE | Industriepark Erasbach A1 | D-92334 Berching | Phone: + 49 8462 201-0 | info@huber.de | [www.huber.de](http://www.huber.de)



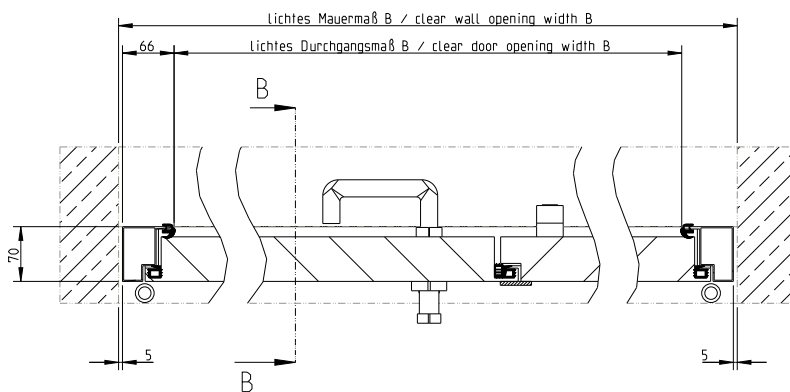
Stockrahmen  
 block frame



B-B  
 Stockrahmen  
 block frame



A-A  
 1:5  
 Stockrahmen  
 block frame



**We manufacture to your specifications. Please consider these definitions of measures:**

Clear wall opening (F): distance between bottom edge of lintel and top edge of unfinished floor

Clear height (H): distance between bottom edge of lintel and top edge of finished floor



**Double Security Door TT2.2/RC4**

Subject to technical modification | Drawing no. 2080886, 11.2024

## Rigid Security Ventilating Louvre for external face of the wall TT2.JW, Adjustable Louvre for internal face of the wall TT10.B



**Universally applicable for controlled ventilation of buildings, especially in the field of potable water supply, and for plants with increased security requirements.**

**A) Rigid safety louvre TT2.JW (for external face of the wall), attack proof, ready for installation, of rigid all welded construction, completely made from 1.4307 (AISI 304 L) stainless steel.**

**Frame**, made from Z profile, 3 mm thick, designed for internal bolted fixing, with access to the anchors only from the interior wall surface.

**Slats**, 3 mm thick, rigidly welded, with the slats staggered so that penetration is impossible even with moveable hoses. With 1 x 1 mm fly screen on the inside.

Both frame and slats are shielded arc-welded and acid bath cleaned before washing, drying and surface passivation.

### Options:

- ▶ 1.4404 (AISI 316 L) stainless steel
- ▶ Lacquered on the outside
- ▶ Ground surface finish
- ▶ Additional internal frame with removable fine filter for dust and pollen, held by wing nuts
- ▶ Fixing material

**B) Adjustable louvre TT10.B (for internal face of the wall), ready for installation, 1.4307 (AISI 304 L) stainless steel.**

**Frame**, made from angle section with boreholes for bolted fixing.

**Slats**, adjustable, overlapping when closed, with chain pull lockable in any position.

Both frame and slats are shielded arc-welded and acid bath cleaned before washing, drying and surface passivation.

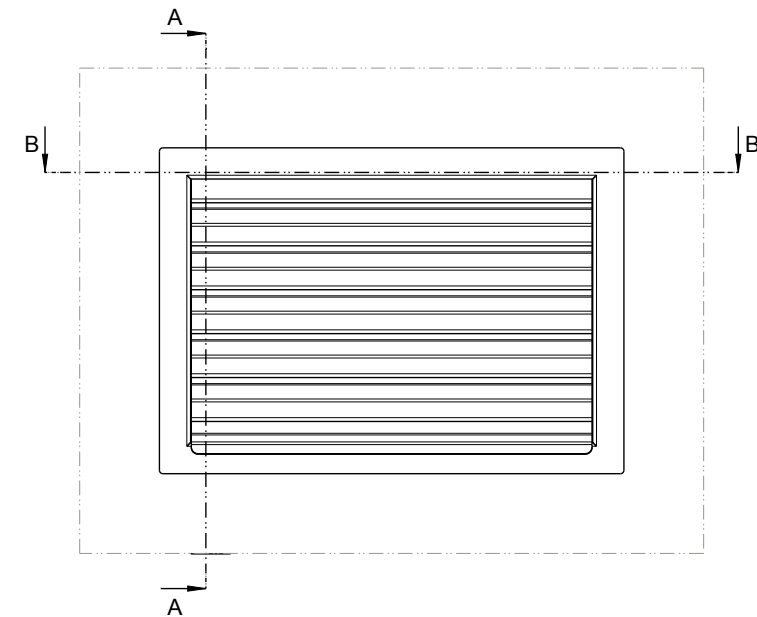
### Options:

- ▶ 1.4404 (AISI 316 L) stainless steel
- ▶ Fixing material

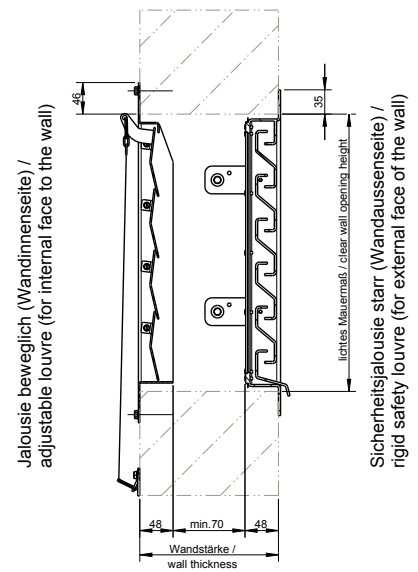


*The figure shown here may contain special accessories.*

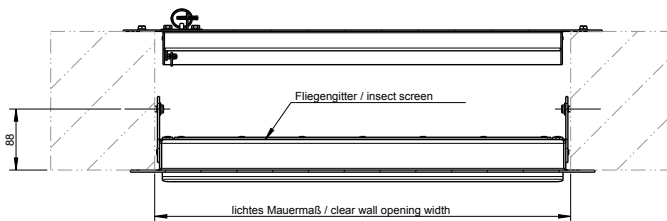




A-A



B-B Jalousie beweglich (Wandinnenseite) / adjustable louvre (for internal face to the wall)



Sicherheitsjalousie starr (Wandaußenseite) / rigid safety louvre (for external face of the wall)

Nominal size order no.	Clear wall opening	Wall flange diameter w / h	For wall thickness w / h
0400/0200 JW	rigid	400 / 200	385 / 185
0500/0300 JW	rigid	500 / 300	485 / 285
0600/0400 JW	rigid	600 / 400	585 / 385
0800/0400 JW	rigid	800 / 400	785 / 385
1000/0400 JW	rigid	1000 / 400	985 / 385
1000/0600 JW	rigid	1000 / 600	985 / 585
0400/0200 JB	moveable	400 / 200	376 / 176
0500/0300 JB	moveable	500 / 300	476 / 276
0600/0400 JB	moveable	600 / 400	576 / 376
0800/0400 JB	moveable	800 / 400	776 / 376
1000/0400 JB	moveable	1000 / 400	976 / 376
1000/0600 JB	moveable	1000 / 600	976 / 576

Ask for further dimensions. All measurements in mm.



Rigid Security Ventilating Louvre for external face of the wall TT2.JW, Adjustable Louvre for internal face of the wall TT10.B  
Subject to technical modification | Drawing no. 50991834, 5.2022

## Flood-proof Single Exterior Door TT6

Access door especially for areas at risk of flooding.



*The figure shown here may contain special accessories.*

Exterior door, flood proof up to a water gauge of 2 m, opening to the outside (pressure side), ready for installation, single-leaf, double skinned, completely made from 1.4307 stainless steel (AISI 304 L). The door and the frame closing flush.

Door leaf, Sheet thickness 3 mm on both the pressurised and non-pressurised side. Door leaf thickness: 57 mm, with injected CFCs-free polyurethane hard foam insulation, longitudinally ground surface finish, with special seal on all four sides. Attached to the frame with stable, maintenance-free hinge plates. Lock prepared for an on-site profile half cylinder lockable from the outside. It is locked by means of a locking lever that can be operated from both sides.

Frame made of special profile, all-round on four sides, with injected CFCs-free polyurethane hard foam insulation, with associated fixing material. The circumferential gap between the frame and the wall must be sealed with the sealing material supplied.

Door leaf and frame welded under inert gas, pickled in an immersion bath and passivated.

Max. permitted leakage rate: 0.3 litres/hour

### Ordering options:

#### Frame mounting:

- ▶ Bolted with dowelling clips
- ▶ Bolted through the frame

#### Door opening options:

- ▶ Hinges on left
- ▶ Hinges on right

#### Options:

- ▶ 1.4404 (AISI 316 L) stainless steel
- ▶ Anchor hooks on the door leaf, which engage positively in the frame when closed.
- ▶ Upper door closer lockable in position
- ▶ Surface finish (painting the outside with or without anti-graffiti finish)
- ▶ Magnetic contact: „Door open“ or „Door closed“ status display
- ▶ Lock-bolt contact: „Bolt open“ or „Bolt closed“ status display
- ▶ Potential equalisation on frame
- ▶ Steel sheet finish for exterior door surface for installations exposed to sunlight

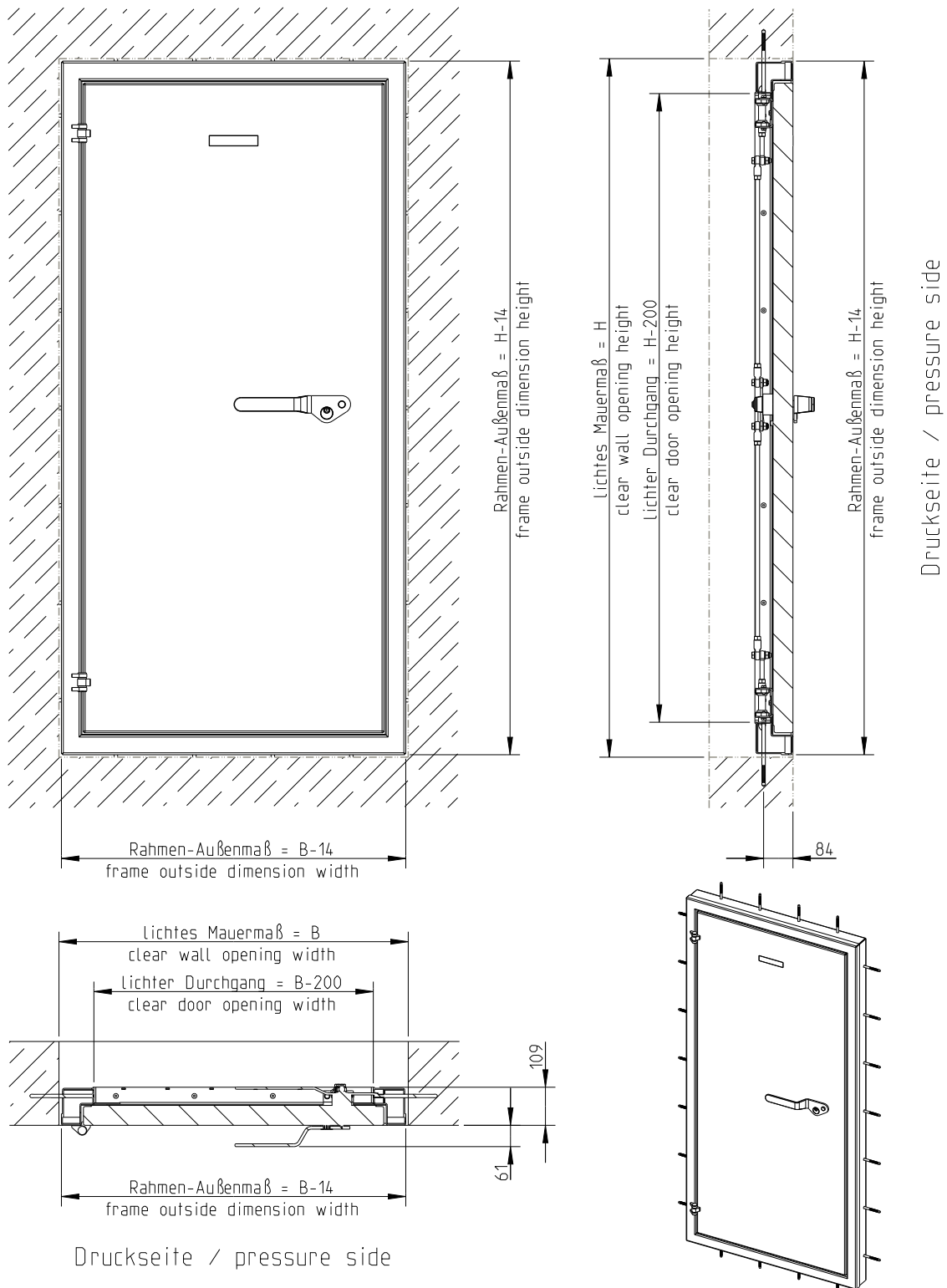
### Note:

**If the door is exposed to sunlight, the operability may be affected. We recommend attaching a sheet metal cover to the outside of the door.**



### Flood-proof Single Exterior Door TT6

Subject to technical modification | Drawing no. 190.167, 7.2025



**We always manufacture door dimensions according to your specifications.**

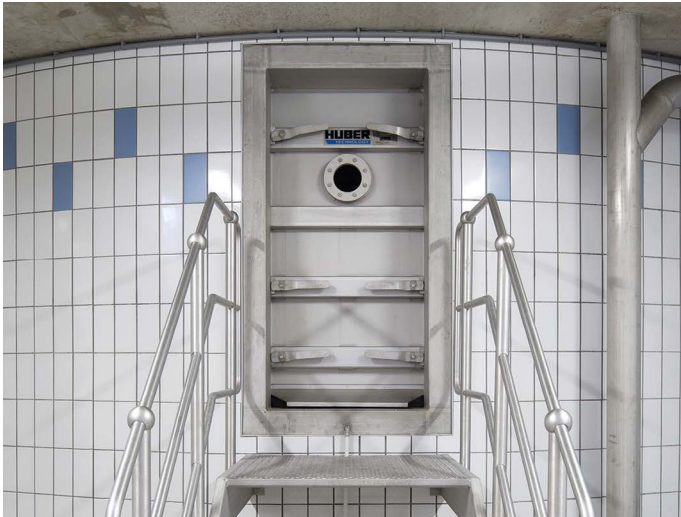


**Flood-proof Single Exterior Door TT6**

Subject to technical modification | Drawing no. 190.167, 7.2025

## Rectangular Pressure-Tight Door TT7 with Locking Levers

Access door for containers, especially in the field of potable water supply, pressure-tight up to a water gauge of 10 m.



*The figure shown here may contain special accessories.*

**Pressure-tight door**, pressure-tight up to a water gauge of 10 m, opening to the pressure side, ready for installation, to be lined on both sides (wall thickness  $\geq$  280 mm), rectangular, completely made from 1.4404

(AISI 316 L) stainless steel, statically certified.

**Door**, 5 mm thick, reinforced with U-shaped bent plate. Smooth door leaf on the pressure side. With circumferential square silicone seal, suitable for potable water, ozone resistant, certified to KTW and DVGW W 270 standards. Locking levers operable both from the door outside and, for safety reasons, also from the pressure side while the reservoir is empty. With stable maintenance-free hinge plates between the door and frame.

**Frame**, circumferential with one centre and two side gaskets, provided for embedding in concrete. Frame with lifting eyes.

Frame and door shielded arc-welded and acid bath cleaned before washing, drying and surface passivation.

### **Note:**

**Guarantee for tightness between the frame and concrete is only provided if the concrete structure is homogeneous all around the circumference. The minimum concrete quality and corresponding concrete classes are to be determined by the customer. In the case of frames for retrofitting, the manufacturer's specifications for the fixing material must be observed.**

### **Ordering options:**

#### **Door opening options:**

- ▶ Hinges on left
- ▶ Hinges on right

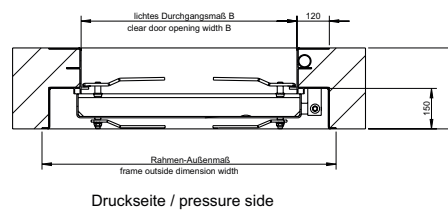
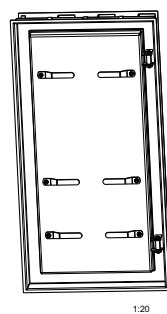
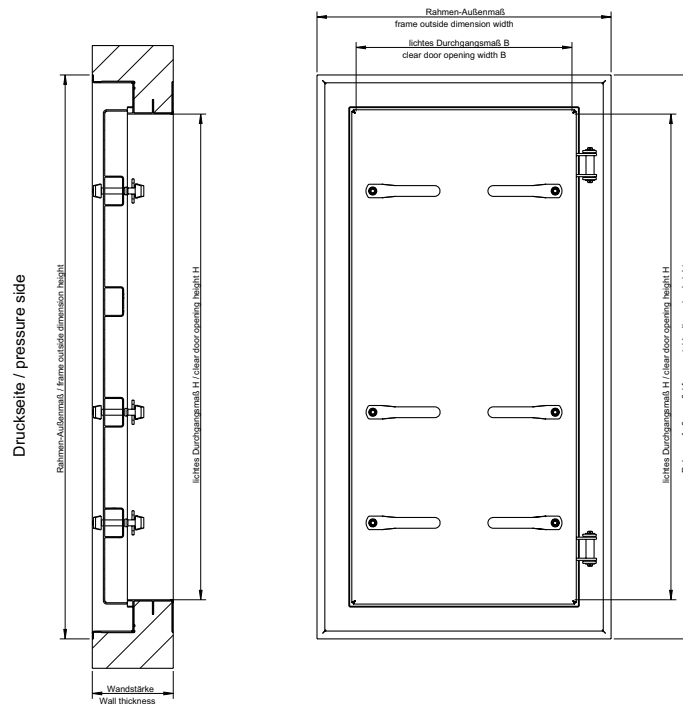
#### **Options:**

- ▶ Frame, for retrofitting, space required for the frame:
- ▶ 150 mm, circumferential. Prerequisite is a plane inner wall surface, tolerance:  $\pm$  1 mm per metre
- ▶ Pressure door for round tanks
- ▶ Centrally installed inspection window, inside diameter: 150 mm, with or without window wiper
- ▶ Installed LED underwater spotlight
- ▶ Installed cylinder lock (operable from one side)
- ▶ Locking by means of screw caps
- ▶ Pressure door with three-sided open-top frame for parapets, maximum water gauge = door height.
- ▶ Sanding of frame parts in contact with concrete
- ▶ Condensate drain on external door surface
- ▶ Doorstop with wedge
- ▶ Sampling valve on external door surface
- ▶ Partly submersible, lower part pressure-tight, upper part with an integrated inspection opening
- ▶ Provided for welding to the PE coating
- ▶ Potential equalisation on the frame
- ▶ Completely made of 1.4307 (AISI 304 L) stainless steel

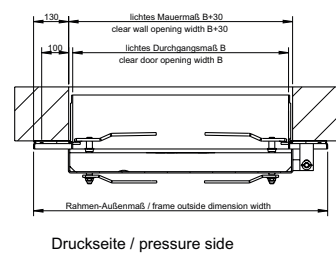
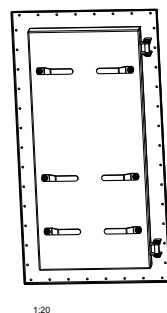


### Rectangular Pressure-Tight Door TT7

Subject to technical modification | Drawing no. 51022473, 5.2022



Pressure-tight door for embedding in concrete



Pressure-tight door for retrofitting

Nominal size order no.	Clear wall opening w / h	Frame outside dimensions w / h	For wall thickness A
0800/1200	800 / 1200	1086 / 1486	
0800/1600	800 / 1600	1086 / 1886	
0800/1800	800 / 1800	1086 / 2086	
1000/2000	1000 / 2000	1290 / 2290	

Ask for further dimensions. All measurements in mm.



### Rectangular Pressure-Tight Door TT7

Subject to technical modification | Drawing no. 51022473, 5.2022

## Rectangular Pressure-Tight Door TT7.Z with Central Lock Registered design no. 298 01 144.1

Access door for containers, especially in the field of potable water supply, pressure-tight up to a water gauge of 10 m.



The figure shown here may contain special accessories.

**Pressure-tight door**, pressure-tight up to a water gauge of 10 m, opening to the pressure side, ready for installation, to be lined on both sides (wall thickness  $\geq$  300 mm), rectangular, completely made from 1.4404

(AISI 316 L) stainless steel, statically certified.

Registered design no. 298 01 144.1

**Door**, plate thickness: 5 mm thick, reinforced with U-shaped bent plate. Smooth door leaf on the pressure side. With circumferential square silicone seal, suitable for potable water, ozone resistant, certified to KTW and DVGW W 270 standards. Locking crank handles operable both from the door outside and, for safety reasons, also from the pressure side while the reservoir is empty. With stable maintenance-free hinge plates between the door and frame.

**Frame**, circumferential with one centre and two side gaskets, provided for embedding in concrete. Frame with lifting eyes.

Frame and door shielded arc-welded and acid bath cleaned before washing, drying and surface passivation.

### Note:

**Guarantee for tightness between the frame and concrete is only provided if the concrete structure is homogeneous all around the circumference. The minimum concrete quality and corresponding concrete classes are to be determined by the customer. In the case of frames for retrofitting, the manufacturer's specifications for the fixing material must be observed.**

### Ordering options:

#### Door opening options:

- ▶ Hinges on left
- ▶ Hinges on right

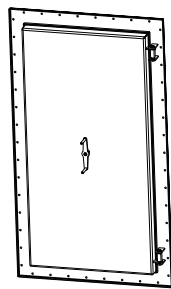
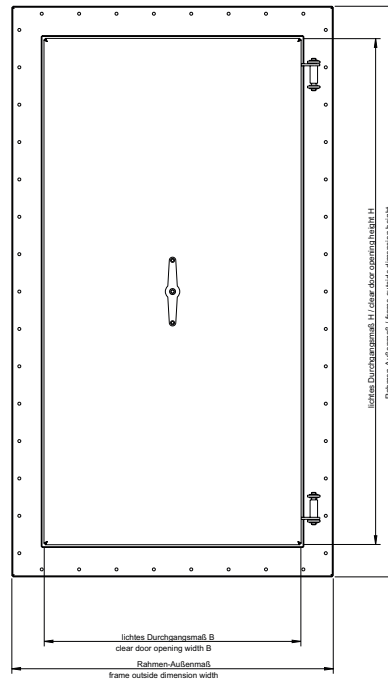
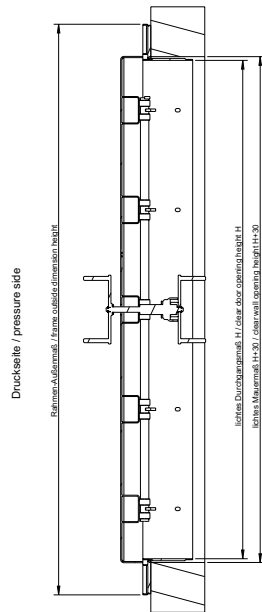
#### Options:

- ▶ Frame, for retrofitting, space required for the frame:
- ▶ 150 mm, circumferential. Prerequisite is a plane inner wall surface, tolerance:  $\pm$  1 mm per metre.
- ▶ Pressure door for round tanks
- ▶ Centrally installed inspection window, inside diameter: 150 mm, with or without window wiper
- ▶ Installed LED underwater spotlight
- ▶ Installed cylinder lock (operable from one side)
- ▶ Pressure door with three-sided open-top frame for parapets, maximum water gauge = door height.
- ▶ Sanding of frame parts in contact with concrete
- ▶ Condensate drain on external door surface
- ▶ Sampling valve on external door surface
- ▶ Doorstop with wedge
- ▶ Partly submersible, lower part pressure-tight, upper part with an integrated inspection opening
- ▶ Provided for welding to the PE coating
- ▶ Potential equalisation on the frame
- ▶ Completely made of 1.4307 (AISI 304 L) stainless steel

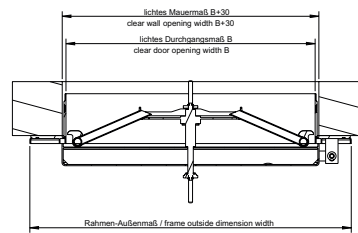


### Rectangular Pressure-Tight Door TT7.Z

Subject to technical modification | Drawing no. 51020999, 5.2022

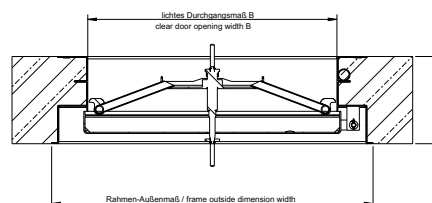
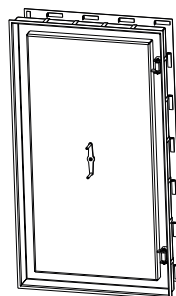


1:20



Druckseite / pressure side

Pressure-tight door  
for retrofitting



Druckseite / pressure side

Pressure-tight door for  
embedding in concrete

Nominal size order no.	Clear wall opening w / h	Frame outside dimensions w / h	For wall thickness A
0800/1200	800 / 1200	1086 / 1486	
0800/1600	800 / 1600	1086 / 1886	
0800/1800	800 / 1800	1086 / 2086	
1000/2000	1000 / 2000	1290 / 2290	

Ask for further dimensions. All measurements in mm.



Rectangular Pressure-Tight Door TT7.Z

Subject to technical modification | Drawing no. 51020999, 5.2022

HUBER SE | Industriepark Erasbach A1 | D-92334 Berching | Phone: + 49 8462 201-0 | info@huber.de | [www.huber.de](http://www.huber.de)

## Rectangular Pressure-Tight Door TT7.30 with Central Lock

Access door for containers, especially in the field of potable water supply, pressure-tight up to a water gauge of 30 m.



The figure shown here may contain special accessories.

**Pressure-tight door**, pressure-tight up to a water gauge of 30 m, opening to the pressure side, ready for installation, to be lined on both sides (wall thickness  $\geq 300$  mm), rectangular, completely made from 1.4404 (AISI 316 L) stainless steel, statically certified.

**Door**, curved convex design with frame reinforcements to ensure that the acting pressure forces can pass into the door frame via the circumferential frame. With circumferential special silicone seal, suitable for potable water, ozone resistant, certified to KTW and DVGW W 270 standards. Locking crank handles operable both from the door outside and, for safety reasons, also from the pressure side while the reservoir is empty.

**Frame**, circumferential with one centre and two side gaskets, provided for embedding in concrete. Frame with lifting eyes.

Frame and door shielded arc-welded and acid bath cleaned before washing, drying and surface passivation.

### **Note:**

**Guarantee for tightness between the frame and concrete is only provided if the concrete structure is homogeneous all around the circumference. The minimum concrete quality and corresponding concrete classes are to be determined by the customer. In the case of frames for retrofitting, the manufacturer's specifications for the fixing material must be observed.**

### **Ordering options:**

#### **Door opening options:**

- ▶ Hinges on left
- ▶ Hinges on right

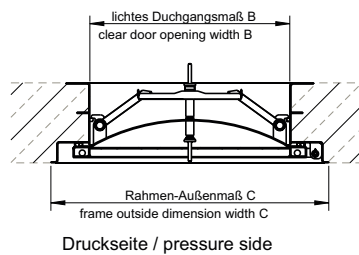
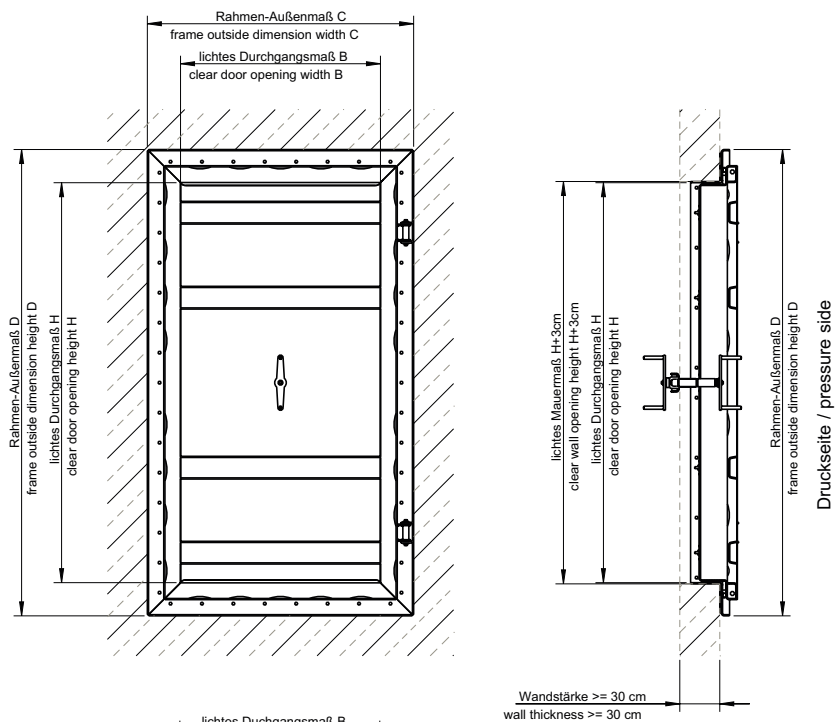
#### **Options:**

- ▶ Frame for retrofitting. Space requirements for the frame: 180 mm, circumferential frame on four sides. Prerequisite is a plane inner wall surface, tolerance:
  - ▶  $\pm 1$  mm per metre
  - ▶ Sanding of frame parts in contact with concrete
  - ▶ Vent holes in the frame

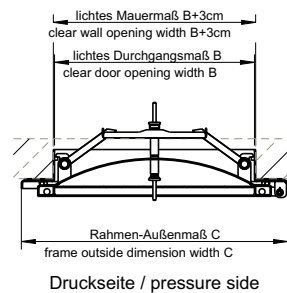


### Rectangular Pressure-Tight Door TT7.30

Subject to technical modification | Drawing no. 50064150, 5.2022



Pressure-tight door for embedding in concrete



Pressure-tight door for retrofitting

Nominal Size	Pressure-tight doors for embedding in concrete Clear wall opening w / h	Pressure-tight doors for embedding in concrete Frame outside dimensions w / h	Pressure-tight doors for retrofitting Clear opening w / h	Pressure-tight doors for retrofitting Required opening w / h
0800/0800	800 / 800	1190 / 1190	800 / 800	830 / 830
0800/1200	800 / 1200	1190 / 1590	800 / 1200	830 / 1230
0800/1600	800 / 1600	1190 / 1990	800 / 1600	830 / 1630
0800/1800	800 / 1800	1190 / 2190	800 / 1800	830 / 1830
1000/2000	1000 / 2000	1390 / 2390	1000 / 2000	1030 / 2030

Ask for further dimensions. All measurements in mm.



Rectangular Pressure-Tight Door TT7.30

Subject to technical modification | Drawing no. 50064150, 5.2022

## Round Pressure-Tight Door TT7.R with Screw Locks

Access door for containers, especially in the field of potable water supply, pressure-tight up to a water gauge of 10 m.



*The figure shown here may contain special accessories.*

**Pressure-tight door**, pressure-tight up to a water gauge of 10 m, opening to the pressure side, ready for installation, to be lined on both sides, round, completely made from 1.4404 (AISI 316 L) stainless steel, statically certified. Minimum wall thickness  $\geq 180$  mm.

**Door**, with circumferential square silicone seal, suitable for potable water, ozone resistant, certified to KTW and DVGW W 270 standards. Locking with the help of screw locks operable only from the dry side. With stable maintenance-free hinge plates between the door and frame.

**Frame**, designed as an access duct cover with a centrally welded wall flange. Frame with lifting eyes.

Frame and door shielded arc-welded and acid bath cleaned before washing, drying and surface passivation.

### **Note:**

**Guarantee for tightness between the frame and concrete is only provided if the concrete structure is homogeneous all around the circumference. The minimum concrete quality and corresponding concrete classes are to be determined by the customer. In the case of frames for retrofitting, the manufacturer's specifications for the fixing material must be observed. When installing the round pressure door for retrofitting, it is important that there is a second, larger opening for inserting the pressure door.**

### **Ordering options:**

#### **Door opening options:**

- ▶ Hinges on left
- ▶ Hinges on right

#### **Options:**

- ▶ Frame, for retrofitting, space required for the frame:
- ▶ 150 mm, circumferential. Prerequisite is a plane inner wall surface, tolerance:  $\pm 1$  mm per metre.
- ▶ Pressure door for round tanks (only possible for setting in concrete on request)
- ▶ Installed cylinder lock (operable from the non-pressure side)
- ▶ Sanding of frame parts in contact with concrete
- ▶ Sampling valve on external door surface
- ▶ Provided for welding to the PE coating
- ▶ Potential equalisation on the frame
- ▶ Completely made of 1.4307 (AISI 304 L) stainless steel
- ▶ Version up to a water gauge of 6 m

#### **Either:**

- ▶ Centrally installed inspection window, inside diameter: 150 mm, with or without window wiper

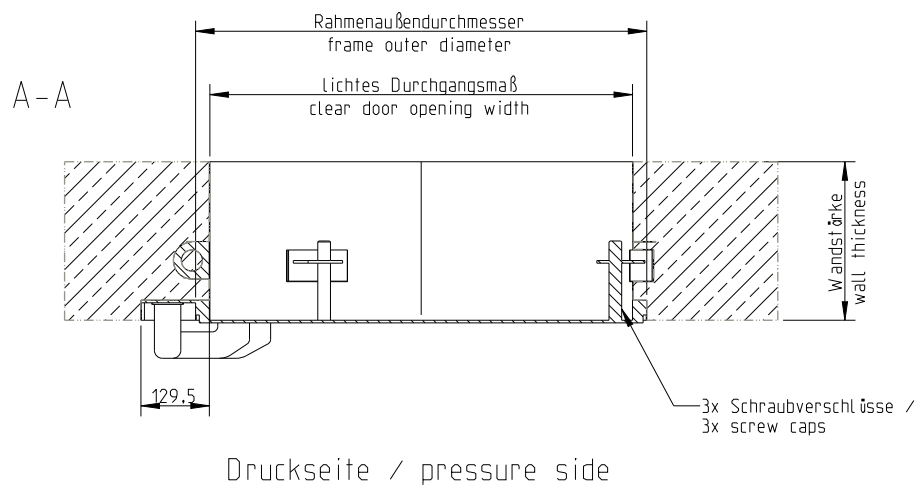
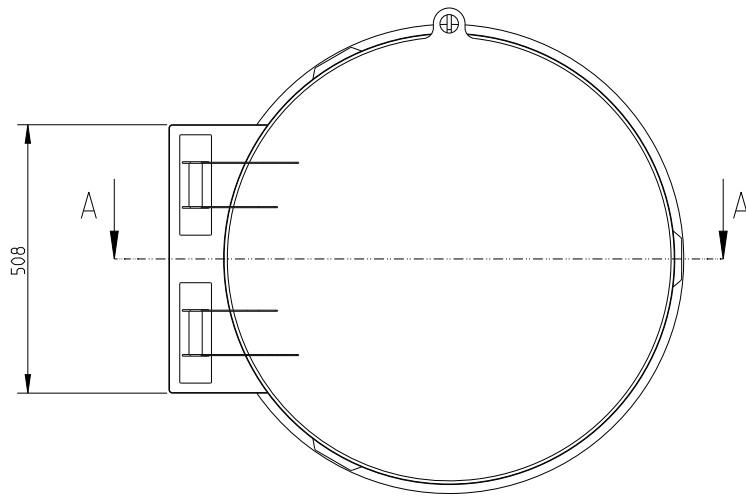
#### **or:**

- ▶ Installed LED round underwater spotlight



### Round Pressure-Tight Door TT7.R

Subject to technical modification | Drawing no. 52326733, 12.2025 | Drawing no. 52308349, 12.2025



Nominal diameter = Clear passage

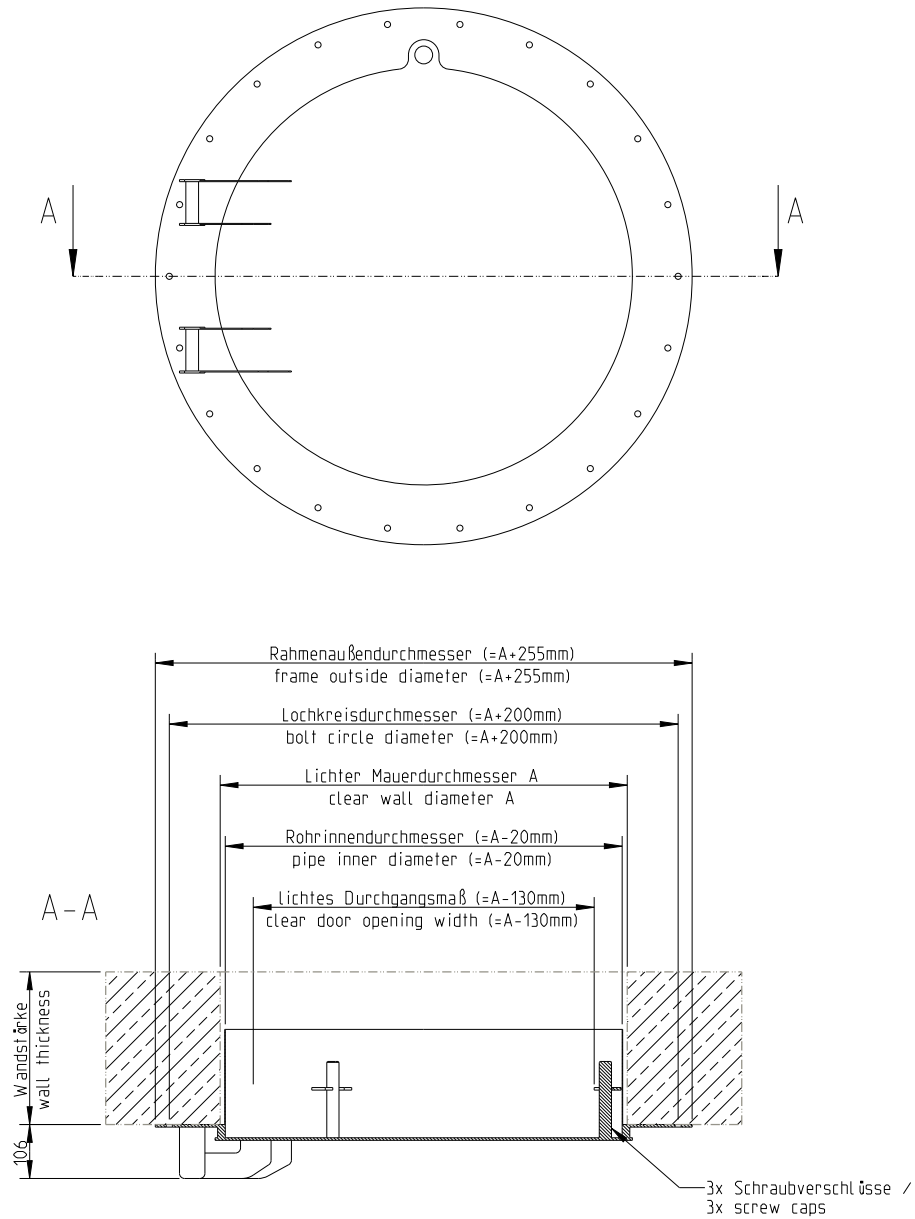
Nominal diameter Ø
600
800
1000
1200

Ask for further dimensions. All measurements in mm.



Round Pressure-Tight Door TT7.R

Subject to technical modification | Drawing no. 52326733, 12.2025



Nominal diameter = Clear wall opening

Nominal diameter Ø	clear passage Ø
600	470
800	670
1000	870
1200	1070

Ask for further dimensions. All measurements in mm.



**Round Pressure-Tight Door TT7.R**

Subject to technical modification | Drawing no. 52308349, 12.2025

## Round Access Cover TT8a with screwed joints

Maintenance opening, especially for the field of potable water supply, pressure-tight up to a water gauge of 5 m.



**Access cover**, pressure-tight up to a water gauge of 5 m, ready for installation, round, completely made from 1.4307 (AISI 304 L) stainless steel, with intermediate sealing suitable for the specific application, can be lined on both sides.

**Blank cover** with lock and two handles for easy operation, connected with the frame by means of screwed joints.

**Frame**, designed as F-piece with centrally welded wall flange, provided for embedding in concrete. Frame with lifting eyes.

Blank cover and frame shielded arc-welded and acid bath cleaned before washing, drying and surface passivation.

### Options:

- ▶ 1.4404 (AISI 316 L) stainless steel
- ▶ Centrally installed inspection window, inside diameter: 150 mm, with or without window wiper
- ▶ Sanding of frame parts in contact with concrete
- ▶ Stable maintenance-free hinges screwed to the frame, can be lined on both sides. (Please indicate the door opening option.)

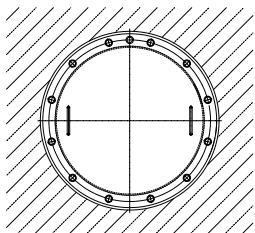
### Application:

- ▶ Drinking water (KTW certified sealing)
- ▶ Wastewater (rubber seal SBR)
- ▶ Biogas (rubber seal EPDM E628 70 ± 5 Shore)

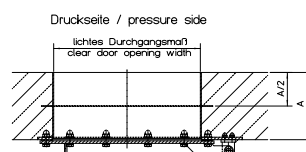
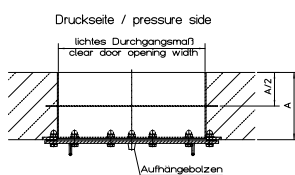
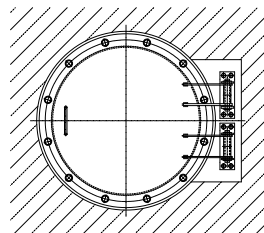


The figure shown here may contain special accessories.

Mannloch - Standard Ausführung/  
Access cover - standard version



Mannloch - Sonder Ausführung mit Scharnier/  
Access cover - special version with hinge



Available with a clear opening of 600 mm or 800 mm



### Round Access Cover TT8a

Subject to technical modification | Drawing no. 190.171/1, 5.2022

## Round Inspection Cover TT8b

Sight glass in the bottom of water tanks, pressure-tight up to a water gauge of 10 m.



The figure shown here may contain special accessories.

**Inspection cover**, pressure-tight up to a water gauge of 10 m, round, completely made from 1.4404 (AISI 316 L) stainless steel, can be lined on both sides.

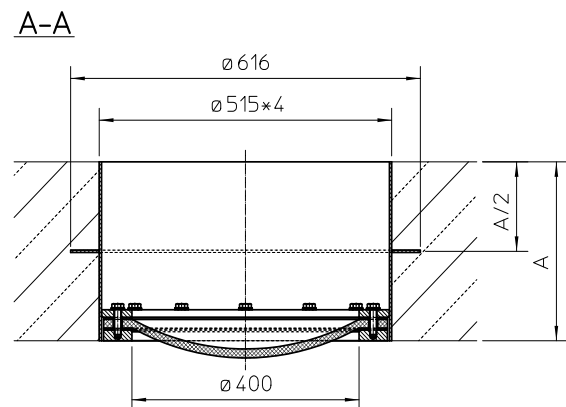
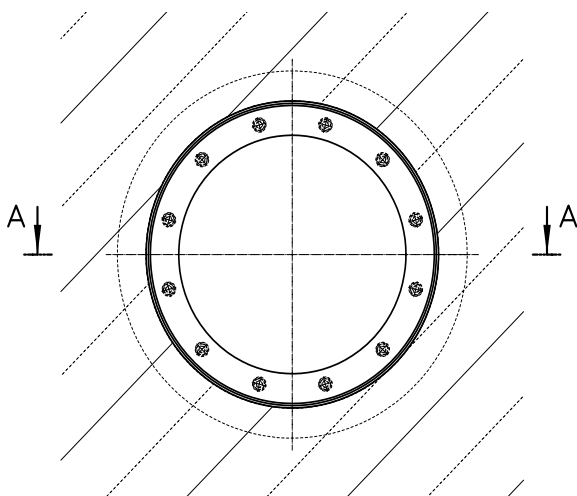
**Sight glass** with 15 mm thick safety glass, convex towards the pressure side. Sealing with two rubber seals. Clear sight diameter: 400 mm.

**Access duct cover** with centrally welded wall flange, provided for embedding in concrete. Wall flange dimensions: 616 mm.

Access duct cover shielded arc-welded, acid-treated in a pickling bath and passivated.

### Options:

- ▶ 1.4307 (AISI 304 L) stainless steel
- ▶ Sanding of wall pipe parts in contact with concrete



Druckseite / pressure side

Nominal size order no.	Clear opening $\varnothing$	Wall flange diameter $\varnothing$	For wall thickness A
0400 SL	400	616	

Ask for further dimensions. All measurements in mm.



### Round Inspection Cover TT8b

Subject to technical modification | Drawing no. 190.171/2, 5.2022

HUBER SE | Industriepark Erasbach A1 | D-92334 Berching | Phone: +49 8462 201-0 | info@huber.de | [www.huber.de](http://www.huber.de)

## Rigid window F1, designed to prevent thermal conduction



The figure shown here may contain special accessories.

**Frame window**, rigid, ready for installation, made from two-sheet special 1.4301 (AISI 304) stainless steel profile with intermediate special plastic core to prevent thermal conduction, thermally insulated according to EN 10077,  $U_f = 2.70 \text{ W}/(\text{m}^2\cdot\text{K})$ . Glazing bead invisibly fastened.

**Frame**, designed for dowelling into window soffit, including fixing material.

Machine ground **surface finish**.

**Dry glazing** with insulation glass, without KTW approval

### Options:

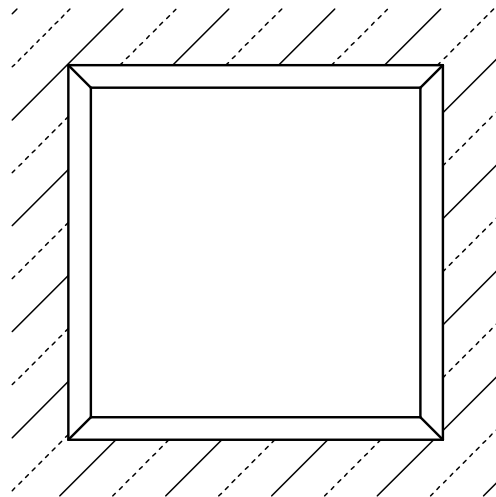
- ▶ 1.4404 (AISI 316 L) stainless steel
- ▶ Secure to prevent forced access according to DIN EN 1627, RC3 (only possible with wet glazing)
- ▶ Special glazing (e.g. security glass)
- ▶ Multi-wing window
- ▶ Outside window sill made from stainless steel
- ▶ Water chamber window, with drain holes towards the dry side, wet glazing KTW approved
- ▶ Other designs available on request



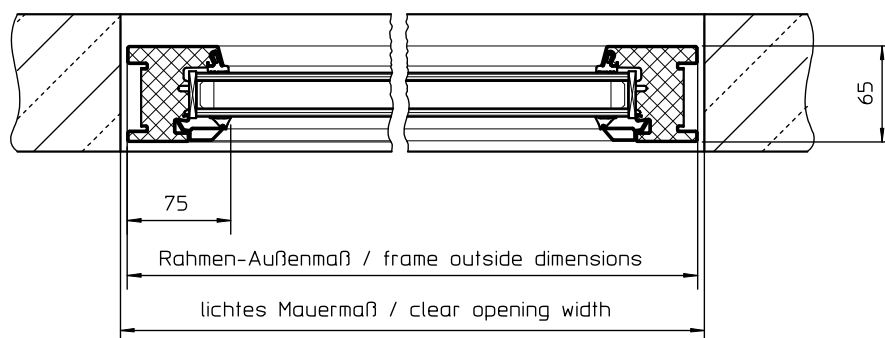
### Rigid window F1

Subject to technical modification | Drawing no. 190.476, 5.2022

Ansicht / view



Schnitt / section



Frame window	Clear wall opening w / h	Maximum wing weight	Aspect ratio w / h
Typ F1	one-wing: w = 415–1124 / h = 400–744	130 kg	max. 1:0,75
	one-wing: w = 415–1324 / h = 745–924		
	one-wing: w = 415–1524 / h = 925–2524		

Available dimensions. All measurements in mm.



Rigid window F1

Subject to technical modification | Drawing no. 190.476, 5.2022

## Window with thermo glass and hinged frame F2



The figure shown here may contain special accessories.

**Frame window**, ready for installation, tilt window, made from two-sheet special 1.4301 (AISI 304) stainless steel profile with intermediate special plastic core to prevent thermal conduction, thermally insulated according to EN 10077,  $U_f = 2.70 \text{ W}/(\text{m}^2 \cdot \text{K})$ , fittings galvanised, tilt fittings with catch or handle.

**Blind frame**, circumferential, made from special profile, designed for dowelling into window soffit, including fixing material.

**Sash frame**, made from Z-profile, integrated fittings.

Two rebat gaskets. Glazing bead invisibly fastened.

Machine ground **surface finish**.

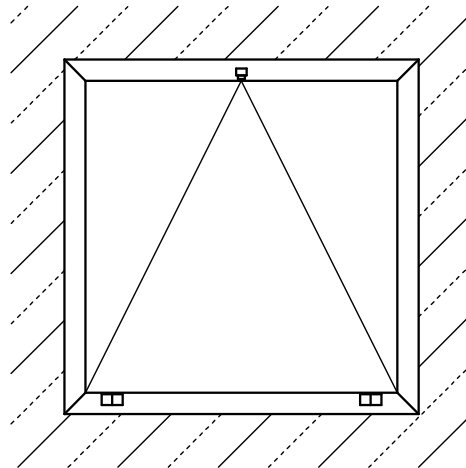
**Dry glazing** with insulation glass, without KTW approval.

### Options:

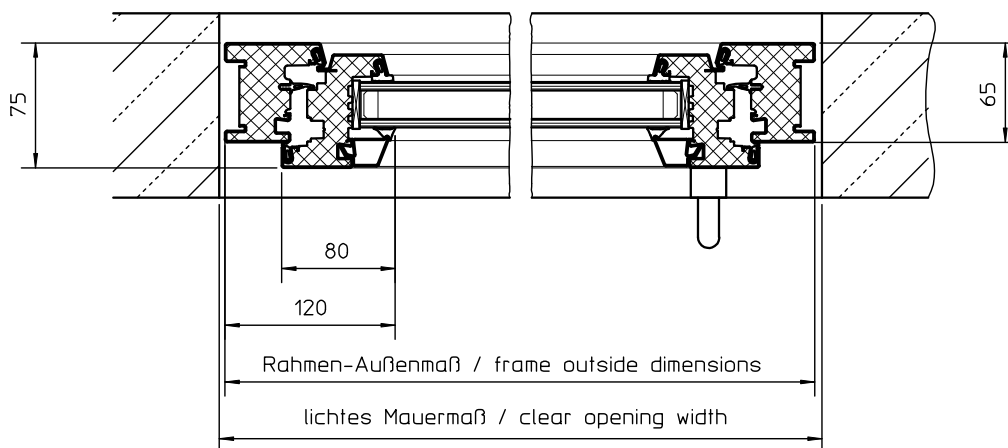
- ▶ 1.4404 (AISI 316 L) stainless steel
- ▶ Secure to prevent forced access according to
- ▶ DIN EN 1627
- ▶ Special glazing (e.g. security glass)
- ▶ Multi-wing window
- ▶ Outside window sill made from stainless steel
- ▶ Water chamber window (with drain holes towards
- ▶ the dry side, with wet glazing, KTW approved)
- ▶ Other designs available on request



Ansicht / view



Schnitt / section



Frame window	Clear wall opening w / h	Maximum wing weight	Aspect ratio w / h
Typ F2	one-wing: w = 415–1124 / h = 500–744	130 kg	max. 1:0,75
	one-wing: w = 415–1324 / h = 745–924		
	one-wing: w = 415–1524 / h = 925–1500		

Available dimensions. All measurements in mm.



Window with thermo glass and hinged frame F2

Subject to technical modification | Drawing no. 190.477, 5.2022

HUBER SE | Industriepark Erasbach A1 | D-92334 Berching | Phone: + 49 8462 201-0 | info@huber.de | [www.huber.de](http://www.huber.de)

## Window with thermo glass and reversible frame F3



The figure shown here may contain special accessories.

**Casement window**, swivel window, ready for installation, made from two-sheet special 1.4301 (AISI 304) stainless steel profile with intermediate special plastic core to prevent thermal conduction, thermally insulated according to EN 10077,  $U_f = 2.70 \text{ W}/(\text{m}^2\cdot\text{K})$ , fittings specially E-Look galvanized, stainless steel handle set.

**Blind frame**, circumferential, made from special profile, designed for dowelling into window soffit, including fixing material.

**Sash frame**, made from Z-profile, integrated fittings. Multiple locking via handle set. Two rebate gaskets. Glazing bead invisibly fastened.

Machine ground **surface finish**.

**Dry glazing** with insulation glass, without KTW approval.

### Window opening options:

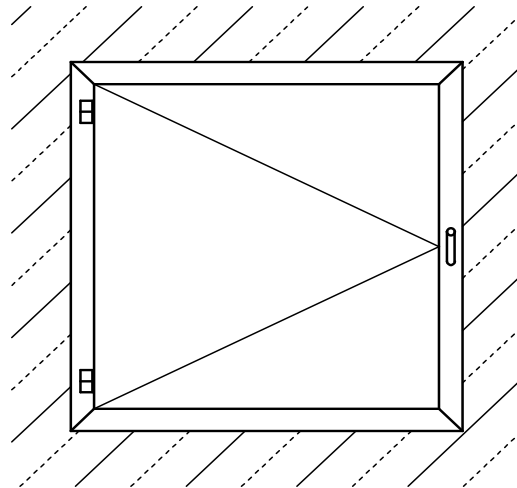
- ▶ Hinges on left
- ▶ Hinges on right

### Options:

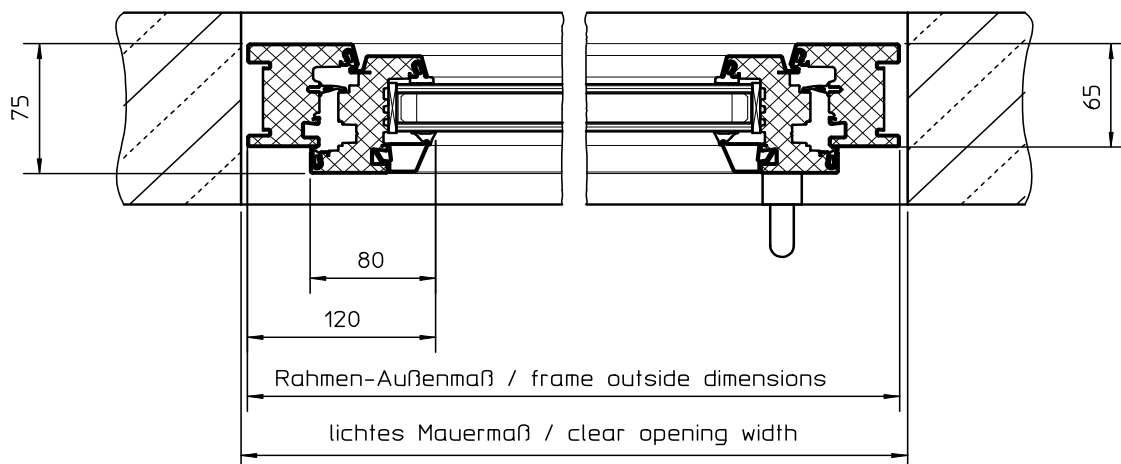
- ▶ 1.4404 (AISI 316 L) stainless steel
- ▶ Secure to prevent forced access according to
- ▶ DIN EN 1627, RC3, galvanized fittings, only possible with wet glazing
- ▶ Special glazing (e.g. security glass)
- ▶ Multi-wing window
- ▶ Outside window sill made from stainless steel
- ▶ Water chamber window (with drain holes towards the dry side, with wet glazing, KTW approved)
- ▶ Lockable handle set provided for profile cylinder
- ▶ Other designs available on request



Ansicht / view



Schnitt / section



Frame window	Clear wall opening w / h	Maximum wing weight	Aspect ratio w / h
Typ F3	one-wing: w = 415–1124 / h = 465–744	130 kg	max. 1:0,75
	one-wing: w = 415–1324 / h = 745–924		
	one-wing: w = 415–1524 / h = 925–2250		

Available dimensions. All measurements in mm.



Window with thermo glass and reversible frame F3

Subject to technical modification | Drawing no. 190.478, 5.2022

HUBER SE | Industriepark Erasbach A1 | D-92334 Berching | Phone: + 49 8462 201-0 | info@huber.de | [www.huber.de](http://www.huber.de)

## Window with thermo glass and reversible hinged frame F4



The figure shown here may contain special accessories.

**Casement window**, tilt and turn window, ready for installation, made from two-sheet special 1.4301 (AISI 304) stainless steel profile with intermediate special plastic core to prevent thermal conduction, thermally insulated according to EN 10077,  $U_f = 2.70 \text{ W}/(\text{m}^2\cdot\text{K})$ , fittings specially E-Look galvanised, stainless steel handle set.

**Blind frame**, circumferential, made from special profile, designed for dowelling into window soffit, including fixing material.

**Sash frame**, made from Z-profile, integrated fittings. Multiple locking via handle set. Two rebate gaskets. Glazing bead invisibly fastened.

Machine ground **surface finish**.

**Dry glazing** with insulation glass, without KTW approval.

### Window opening options:

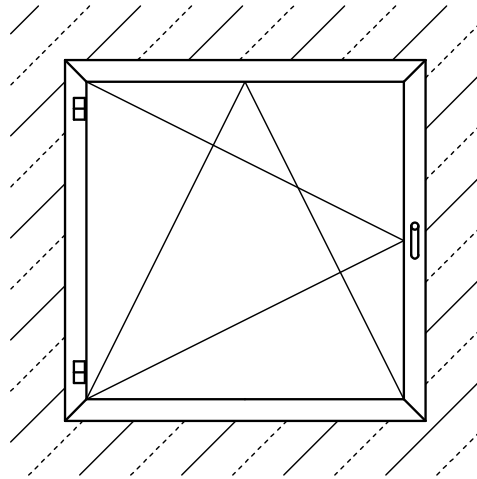
- ▶ Hinges on left
- ▶ Hinges on right

### Options:

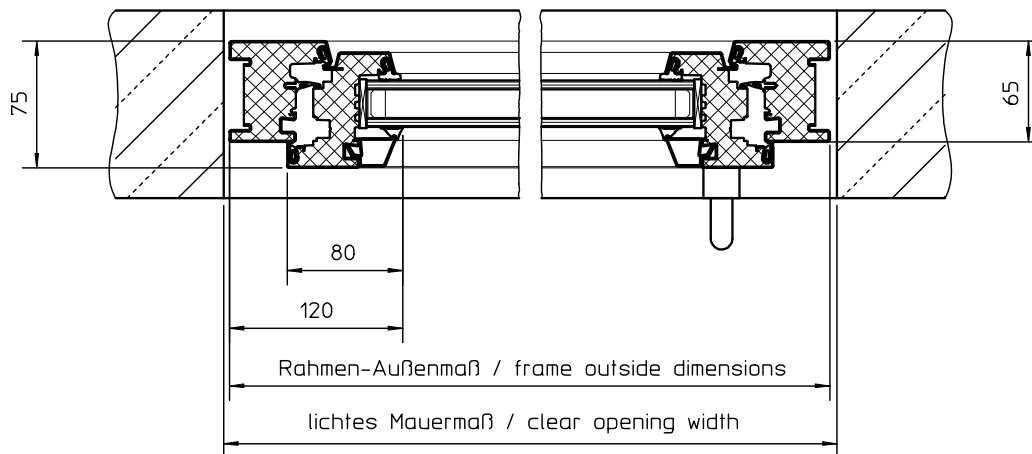
- ▶ 1.4404 (AISI 316 L) stainless steel
- ▶ Secure to prevent forced access according to
- ▶ DIN EN 1627, RC3, galvanized fittings, only possible with wet glazing
- ▶ Special glazing (e.g. security glass)
- ▶ Multi-wing window
- ▶ Outside window sill made from stainless steel
- ▶ Water chamber window (with drain holes towards the dry side, with wet glazing, KTW approved)
- ▶ Lockable handle set provided for profile cylinder
- ▶ Other designs available on request



Ansicht / view



Schnitt / section



Frame window	Clear wall opening w / h	Maximum wing weight	Aspect ratio w / h
Typ F4	one-wing: w = 415–1124 / h = 625–744	130 kg	max. 1:0,75
	one-wing: w = 415–1324 / h = 745–924		
	one-wing: w = 415–1524 / h = 925–2250		

Available dimensions. All measurements in mm.



Window with thermo glass and reversible

Subject to technical modification | Drawing no. 190.479, 5.2022

HUBER SE | Industriepark Erasbach A1 | D-92334 Berching | Phone: + 49 8462 201-0 | info@huber.de | [www.huber.de](http://www.huber.de)

## Further stainless steel equipment from HUBER:



### Manhole equipment:

Manholes serve an important function in water supply and wastewater disposal. The applications are very diverse, but they all have one thing in common: the plant operator is responsible for safe access. Highest quality and reliability are our benchmark.

- ▶ Manhole Covers
- ▶ Safety Climbing Systems
- ▶ Entrance Aids
- ▶ Finished Manholes



### Container ventilation and air filtration:

Reduce risks to hygiene. Germs, viruses, spores and pollen are a risk to hygiene in your drinking water tank. HUBER HEPA and activated carbon filters guarantee the highest standards of hygiene. We offer hygiene safety with the right filter technology and a customised complete solution for your drinking water storage tank.

- ▶ Air Filtering
- ▶ Object protection
- ▶ Water Reservoir Access

## HUBER ONLINESHOP FOR STAINLESS STEEL EQUIPMENT

Configure and order HUBER stainless steel equipment fast and easy online.  
Visit our online shop at: [shop.huber.de](https://shop.huber.de)



### HUBER SE

Industriepark Erasbach A1 | 92334 Berching  
Tel.: +49 8462 201-0 | [info@huber.de](mailto:info@huber.de)  
[www.huber.de](https://www.huber.de)

HUBER Technical Doors in Stainless Steel

Subject to technical modification | 0,0 / 11 – 10.2025 – 10.2018